

STANDART ODA SOĞUTUCULARI STANDARD UNIT AIR COOLERS

TEK FANLI / ONE FANS

GN Unit Coolers

5/8" Cooper Tube - Surface Corrugated Aluminium Fins.

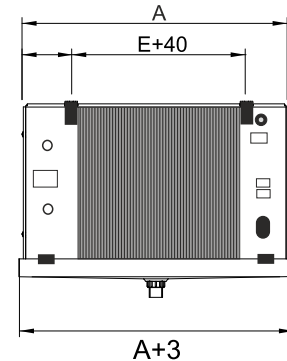
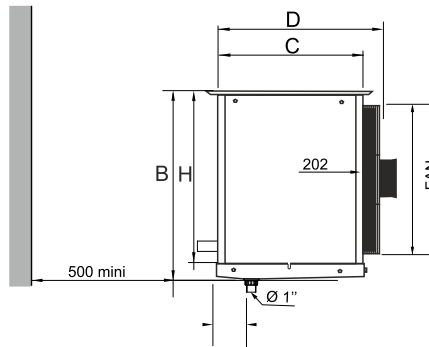
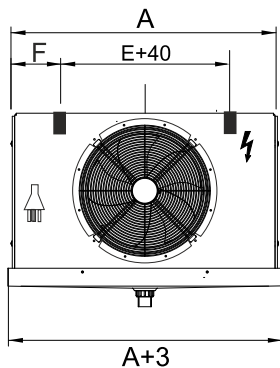
Kalıp Geometrisi / Mould Geometry 50x50

Bakır Boru / Copper Tube 5/8"

Gövde / Body STATİK BOYALI / STATIC PAINTED



KOD/CODE			GN 500 P	GN 501 P	GN 502 P	GN 503 P	GN 504 P	GN 505 P
MODEL			30.1.3X6	30.1.4X6	35.1.4X8	35.1.5X8	40.1.3X10	40.1.4X10
WATT	DT1=10K	SC1	789	1121	2559	3521	3057	5579
	DT1=8K	SC2	626	819	1715	2290	2117	3512
FAN BİLGİLERİ FAN DATA	HAVA DEBİSİ/AIR FLOW RATE	m3/h	1257	1128	2252	2061	3598	3382
	HAVA GÜCÜ/AIR PROJECTION	M	12	12	15	15	20	20
	FAN ADETİ VE ÇAPI / FAN NUMBER AND DIAMETER	mm	1X300	1X300	1X350	1X350	1X400	1X400
	TOPLAM GÜÇ / NO X POWER	W	1X75	1X75	1X140	1X140	1X180	1X180
	TOPLAM SES / TOTAL NOISE	A	72	72	64	64	73	73
	AMPER GÜCÜ / AMPERE POWER	db	0.33	0.33	0.6	0.6	0.39	0.39
	FAN DEVİRİ / FAN SPEED	min	1390r	1390r	1400r	1400r	1380r	1380r
BATARYA BATTERY	YÜZEY ALANI / SURFACE AREA	m2	5,30	7,06	12,03	15,04	15,69	20,92
	BORU HACMİ / PIPE VOLUME	lt	1,2	1,6	2,7	3,3	3,5	4,6
	LAMEL ARALIĞI / FIN PITCH	mm	6	6	6	6	6	6
	DEVRELEME / CIRCUIT	pcs	2	2	2	2	3	2
BOYUTLAR DIMENSION	GİRİŞ / INLET	mm	12	12	12	12	12	12
	ÇIKIŞ / OUTLET	mm	28	28	28	28	35	28
	A	mm	720	720	820	820	1000	1000
	B	mm	405	405	525	525	630	630
	C	mm	300	360	360	400	360	360
	D	mm	345	405	405	445	405	405
AĞIRLIK WEIGHT	NET	kg	25	29	40	45	50	57
	GROSS	kg	38	43	60	68	75	85
ISITICI DEFROST WATT	BATARYA / BATTERY	D1	3X500	3X500	3X500	3X500	3X600	3X700
	BATARYA / BATTERY	D2						
	TAVA / TRAY							



GN 500 SERİSİ / SERIES



STANDART ODA SOĞUTUCULARI STANDARD UNIT AIR COOLERS

TEK FANLI / ONE FANS

GN Unit Coolers

5/8" Cooper Tube - Surface Corrugated Aluminium Fins.

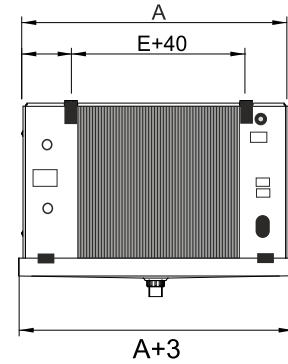
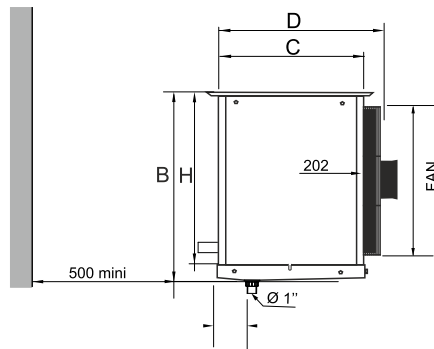
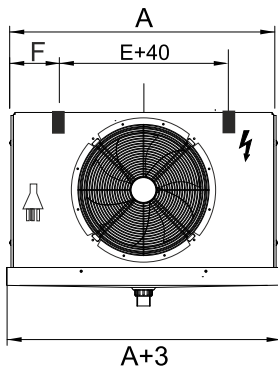
Kalıp Geometrisi / Mould Geometry 50x50

Bakır Boru / Copper Tube 5/8"

Gövde / Body STATİK BOYALI / STATIC PAINTED



KOD/CODE			GN 500 N	GN 501 N	GN 502 N	GN 503 N	GN 504 N	GN 505 N
MODEL			30.1.3X6	30.1.4X6	35.1.4X8	35.1.5X8	40.1.3X10	40.1.4X10
WATT	DT1=8K	SC3	567	669	1403	1867	1667	2998
	DT1=7K	SC4	496	582	1131	1577	1598	2482
FAN BİLGİLERİ FAN DATA	HAVA DEBİSİ/AIR FLOW RATE	m3/h	1257	1128	2252	2061	3598	3382
	HAVA GÜCÜ/AIR PROJECTION	M	12	12	15	15	20	20
	FAN ADETI VE ÇAP / FAN NUMBER AND DIAMETER	mm	1X300	1X300	1X350	1X350	1X400	1X400
	TOPLAM GÜÇ / NO X POWER	W	1X75	1X75	1X140	1X140	1X180	1X180
	TOPLAM SES / TOTAL NOISE	A	72	72	64	64	73	73
	AMPER GÜCÜ / AMPERE POWER	db	0.33	0.33	0.6	0.6	0.39	0.39
	FAN DEVRİ / FAN SPEED	min	1390r	1390r	1400r	1400r	1380r	1380r
BATARYA BATTERY	YÜZEY ALANI / SURFACE AREA	m2	5,30	7,06	12,03	15,04	15,69	20,92
	BORU HACMİ / PIPE VOLUME	lt	1,2	1,6	2,7	3,3	3,5	4,6
	LAMEL ARALIĞI / FIN PITCH	mm	6	6	6	6	6	6
	DEVRELEME / CIRCUIT	pcs	2	2	2	2	3	2
BOYUTLAR DIMENSION	GİRİŞ / INLET	mm	12	12	12	12	12	12
	ÇIKIŞ / OUTLET	mm	28	28	28	28	35	28
	A	mm	720	720	820	820	1000	1000
	B	mm	405	405	525	525	630	630
	C	mm	300	360	360	400	360	360
	D	mm	345	405	405	445	405	405
AĞIRLIK WEIGHT	NET	kg	25	29	40	45	50	57
	GROSS	kg	38	43	60	68	75	85
ISITICI DEFROST WATT	BATARYA / BATTERY	D1						
	BATARYA / BATTERY	D2	4X500	4X500	4X500	4X500	4X600	4X600
	TAVA / TRAY		1X500	1X500	1X500	1X500	1X600	1X600



STANDART ODA SOĞUTUCULARI STANDARD UNIT AIR COOLERS

TEK FANLI / ONE FANS

GN Unit Coolers

5/8" Cooper Tube - Surface Corrugated Aluminium Fins.

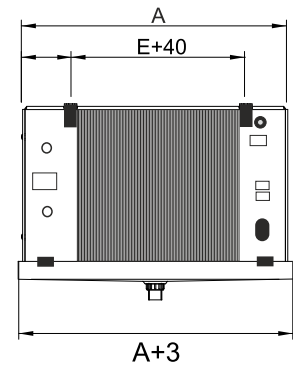
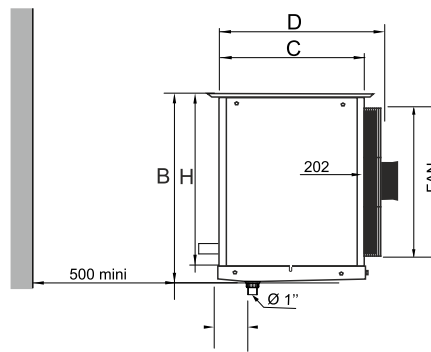
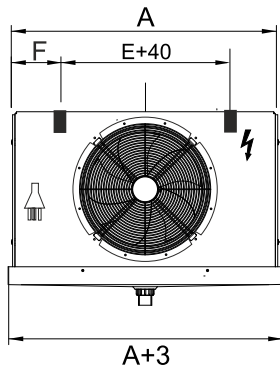
Kalıp Geometrisi / Mould Geometry 50x50

Bakır Boru / Copper Tube 5/8"

Gövde / Body STATİK BOYALI / STATIC PAINTED



KOD/CODE			GN 506 P	GN 507 P	GN 508 P	GN 509 P	GN 510 P
MODEL			40.1.5X10	45.1.4X12	45.1.5X12	50.1.6X12	50.1.6X14
WATT	DT1=10K	SC1	6933	7350	8373	10479	11607
	DT1=8K	SC2	4401	4911	5279	7177	7760
FAN BİLGİLERİ FAN DATA	HAVA DEBİSİ/AIR FLOW RATE	m3/h	3215	4657	4412	5691	6230
	HAVA GÜCÜ/AIR PROJECTION	M	20	25	25	30	30
	FAN ADETİ VE ÇAP / FAN NUMBER AND DIAMETER	mm	1X400	1X450	1X450	1X500	1X500
	TOPLAM GÜÇ / NO X POWER	W	1X180	1X250	1X250	1X450	1X450
	TOPLAM SES / TOTAL NOISE	A	73	73	73	72	72
	AMPER GÜCÜ / AMPERE POWER	db	0.39	0.6	0.6	0.9	0.9
	FAN DEVİRİ / FAN SPEED	min	1380r	1380r	1380r	1300r	1300r
BATARYA BATTERY	YÜZEY ALANI / SURFACE AREA	m2	26,15	25,11	31,38	37,66	43,94
	BORU HACMİ / PIPE VOLUME	lt	5,8	5,6	6,9	8,3	9,7
	LAMEL ARALIĞI / FIN PITCH	mm	6	6	6	6	6
	DEVRELEME / CIRCUIT	pcs	2	2	3	4	5
BOYUTLAR DIMENSION	GİRİŞ / INLET	mm	12	12	12	12	12
	ÇIKIŞ / OUTLET	mm	28	28	35	35	42
	A	mm	1000	1000	1000	1000	1000
	B	mm	630	740	740	740	850
	C	mm	400	360	400	450	450
	D	mm	445	405	445	495	495
AĞIRLIK WEIGHT	NET	kg	65	67	77	88	99
	GROSS	kg	97	101	115	132	148
ISITICI DEFROST WATT	BATARYA / BATTERY	D1	3X700	4X900	4X900	4X1000	4X1000
	BATARYA / BATTERY	D2					
	TAVA / TRAY						



GN 500 SERİSİ / SERIES



STANDART ODA SOĞUTUCULARI STANDARD UNIT AIR COOLERS

TEK FANLI / ONE FANS

GN Unit Coolers

5/8" Cooper Tube - Surface Corrugated Aluminium Fins.

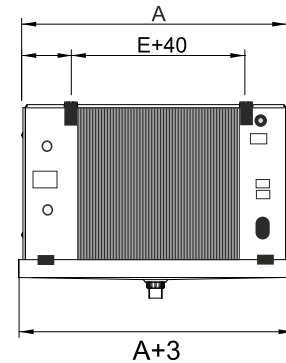
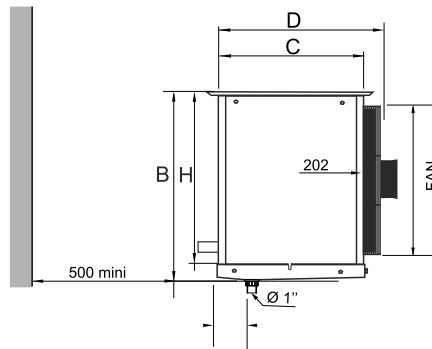
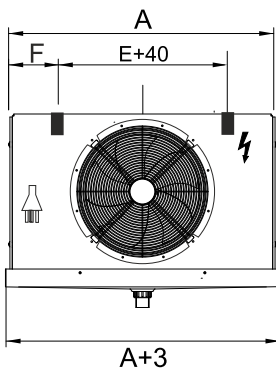
Kalıp Geometrisi / Mould Geometry 50x50

Bakır Boru / Copper Tube 5/8"

Gövde / Body STATİK BOYALI / STATIC PAINTED



KOD/CODE			GN 506 N	GN 507 N	GN 508 N	GN 509 N	GN 510 N
MODEL			40.1.5X10	45.1.4X12	45.1.5X12	50.1.6X12	50.1.6X14
WATT	DT1=8K	SC3	3644	3980	4474	5653	6206
	DT1=7K	SC4	3021	3234	3534	4680	5170
FAN BİLGİLERİ FAN DATA	HAVA DEBİSİ/AIR FLOW RATE	m3/h	3215	4657	4412	5691	6230
	HAVA GÜCÜ/AIR PROJECTION	M	20	25	25	30	30
	FAN ADETİ VE ÇAPI / FAN NUMBER AND DIAMETER	mm	1X400	1X450	1X450	1X500	1X500
	TOPLAM GÜÇ / NO X POWER	W	1X180	1X250	1X250	1X450	1X450
	TOPLAM SES / TOTAL NOISE	A	73	73	73	72	72
	AMPER GÜCÜ / AMPERE POWER	db	0.39	0.6	0.6	0.9	0.9
	FAN DEVİRİ / FAN SPEED	min	1380r	1380r	1380r	1300r	1300r
BATARYA BATTERY	YÜZEY ALANI / SURFACE AREA	m2	26,15	25,11	31,38	37,66	43,94
	BORU HACMİ / PIPE VOLUME	lt	5,8	5,6	6,9	8,3	9,7
	LAMEL ARALIĞI / FIN PITCH	mm	6	6	6	6	6
	DEVRELEME / CIRCUIT	pcs	2	2	3	4	5
BOYUTLAR DIMENSION	GİRİŞ / INLET	mm	12	12	12	12	12
	ÇIKIŞ / OUTLET	mm	28	28	35	42	42
	A	mm	1000	1000	1000	1000	1000
	B	mm	630	740	740	740	850
	C	mm	400	360	400	450	450
	D	mm	445	405	445	495	495
AĞIRLIK WEIGHT	NET	kg	65	67	77	88	99
	GROSS	kg	97	101	115	132	148
ISITICI DEFROST WATT	BATARYA / BATTERY	D1					
	BATARYA / BATTERY	D2	4X700	5X900	5X900	5X1000	5X1000
	TAVA / TRAY		1X700	1X900	1X900	1X1000	1X1000



STANDART ODA SOĞUTUCULARI STANDARD UNIT AIR COOLERS

İKİ FANLI / TWO FANS

GN Unit Coolers

5/8" Cooper Tube - Surface Corrugated Aluminium Fins.

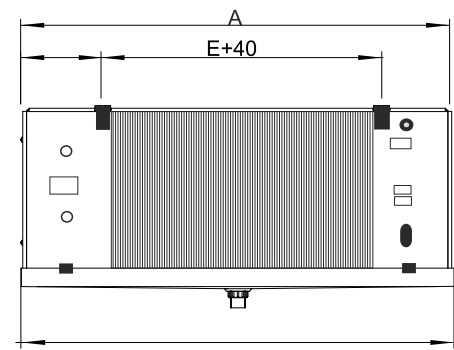
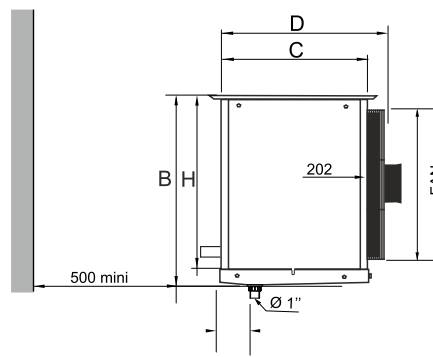
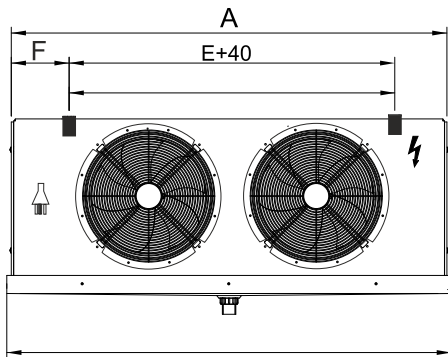
Kalıp Geometrisi / Mould Geometry 50x50

Bakır Boru / Copper Tube 5/8"

Gövde / Body STATİK BOYALI / STATIC PAINTED



KOD/CODE			GN 511 P	GN 512 P	GN 513 P	GN 514 P	GN 515 P	GN 516 P
MODEL			30.2.3X6	30.2.4X6	35.2.4X8	35.2.5X8	40.2.3X10	40.2.4X10
WATT	DT1=10K	SC1	1997	2986	6891	8446	8990	9475
	DT1=8K	SC2	1445	1953	4834	5827	6017	6279
FAN BİLGİLERİ FAN DATA	HAVA DEBİSİ/AIR FLOW RATE	m3/h	2473	2205	4511	4147	7016	6625
	HAVA GÜCÜ/AIR PROJECTION	M	12	12	15	15	20	20
	FAN ADETİ VE ÇAP / FAN NUMBER AND DIAMETER	mm	2X300	2X300	2X350	2X350	2X400	2X400
	TOPLAM GÜÇ / NO X POWER	W	1X75	1X75	1X140	1X140	1X180	1X180
	TOPLAM SES / TOTAL NOISE	A	72	72	64	64	73	73
	AMPER GÜCÜ / AMPERE POWER	db	0.33	0.33	0.6	0.6	0.39	0.39
	FAN DEVRİ / FAN SPEED	min	1390r	1390r	1400r	1400r	1380r	1380r
BATARYA BATTERY	YÜZEY ALANI / SURFACE AREA	m2	10,59	14,12	23,54	29,42	29,18	38,90
	BORU HACMİ / PIPE VOLUME	lt	2,3	3,1	5,2	6,5	6,5	8,6
	LAMEL ARALIĞI / FIN PITCH	mm	6	6	6	6	6	6
	DEVRELEME / CIRCUIT	pcs	2	2	2	2	2	5
BOYUTLAR DIMENSION	GİRİŞ / INLET	mm	12	12	12	12	12	12
	ÇIKIŞ / OUTLET	mm	28	28	28	28	28	42
	A	mm	1120	1120	1300	1300	1590	1590
	B	mm	405	405	525	525	630	630
	C	mm	300	360	360	400	360	360
	D	mm	345	405	405	445	405	405
AĞIRLIK WEIGHT	NET	kg	41	47	67	76	83	95
	GROSS	kg	61	71	100	114	124	142
ISITICI DEFROST WATT	BATARYA / BATTERY	D1	4X1200	4X1200	4X1400	4X1400	4X1400	4X1600
	BATARYA / BATTERY	D2						
	TAVA / TRAY							



A+3

A+3

GN 500 SERİSİ / SERIES



STANDART ODA SOĞUTUCULARI STANDARD UNIT AIR COOLERS

İKİ FANLI / TWO FANS

GN Unit Coolers

5/8" Cooper Tube - Surface Corrugated Aluminium Fins.

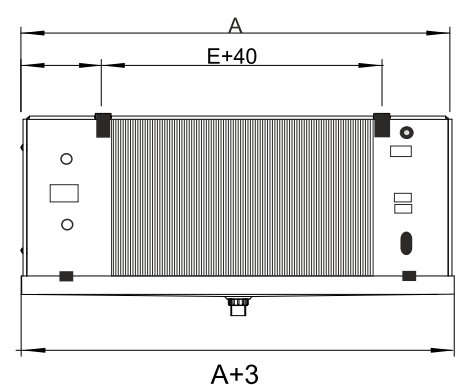
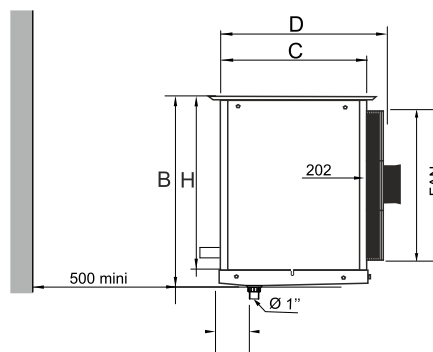
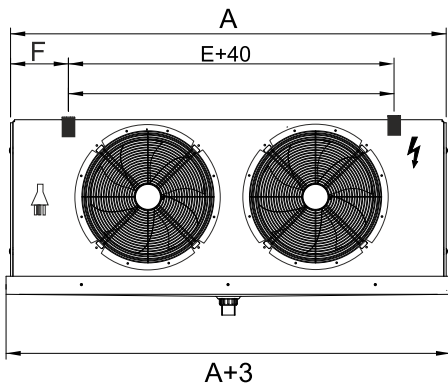
Kalip Geometrisi / Mould Geometry 50x50

Bakır Boru / Copper Tube 5/8"

Gövde / Body STATİK BOYALI / STATIC PAINTED



KOD/CODE			GN 517 P	GN 518 P	GN 519 P	GN 520 P	GN 521 P
MODEL			40.2.5X10	45.2.4X12	45.2.5X12	50.2.6X12	50.2.6X14
WATT	DT1=10K	SC1	12342	13737	15582	20611	23811
	DT1=8K	SC2	8231	9412	12227	14288	16669
FAN BİLGİLERİ FAN DATA	HAVA DEBİSİ / AIR FLOW RATE	m3/h	6275	9091	8580	10533	11988
	HAVA GÜCÜ / AIR PROJECTION	M	20	25	25	30	30
	FAN ADETİ VE ÇAP / FAN NUMBER AND DIAMETER	mm	2X400	2X450	2X450	2X500	2X500
	TOPLAM GÜÇ / NO X POWER	W	1X180	1X250	1X250	1X450	1X450
	TOPLAM SES / TOTAL NOISE	A	73	73	73	72	72
	AMPER GÜCÜ / AMPERE POWER	db	0.39	0.6	0.6	0.9	0.9
	FAN DEVRİ / FAN SPEED	min	1380r	1380r	1380r	1300r	1300r
BATARYA BATTERY	YÜZEY ALANI / SURFACE AREA	m2	48,63	46,68	58,35	70,02	81,69
	BORU HACMİ / PIPE VOLUME	lt	10,8	10,3	12,9	15,5	18,1
	LAMEL ARALIĞI / FIN PITCH	mm	6	6	6	6	6
	DEVRELEME / CIRCUIT	pcs	5	4	6	6	7
BOYUTLAR DIMENSION	GİRİŞ / INLET	mm	12	16	16	16	16
	ÇIKIŞ / OUTLET	mm	42	35	42	42	54
	A	mm	1590	1590	1590	1590	1590
	B	mm	630	740	740	740	850
	C	mm	400	360	400	450	450
	D	mm	445	405	445	495	495
AĞIRLIK WEIGHT	NET	kg	109	114	130	150	168
	GROSS	kg	164	170	195	225	252
ISITICI DEFROST WATT	BATARYA / BATTERY	D1	4X1600	4X1600	4X1600	4X1600	4X1600
	BATARYA / BATTERY	D2					
	TAVA / TRAY						



STANDART ODA SOĞUTUCULARI STANDARD UNIT AIR COOLERS

İKİ FANLI / TWO FANS

GN Unit Coolers

5/8" Cooper Tube - Surface Corrugated Aluminium Fins.

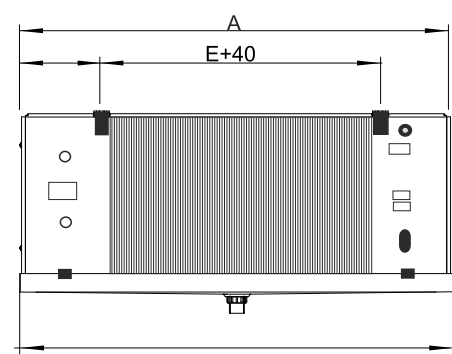
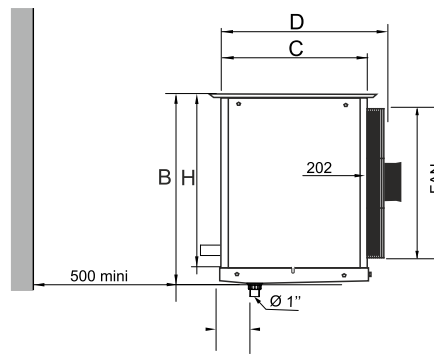
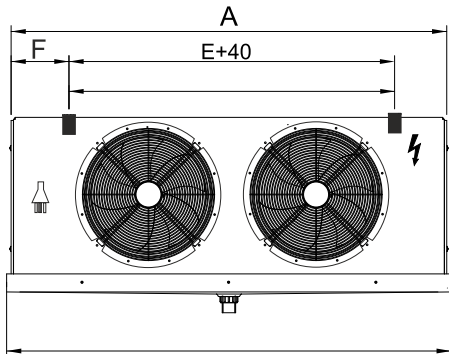
Kalıp Geometrisi / Mould Geometry 50x50

Bakır Boru / Copper Tube 5/8"

Gövde / Body STATİK BOYALI / STATIC PAINTED



KOD/CODE			GN 511 N	GN 512 N	GN 513 N	GN 514 N	GN 515 N	GN 516 N
MODEL			30.2.3X6	30.2.4X6	35.2.4X8	35.2.5X8	40.2.3X10	40.2.4X10
WATT	DT1=8K	SC3	1271	1719	3812	4360	4754	5108
	DT1=7K	SC4	1088	1379	3152	3619	3968	4299
FAN BİLGİLERİ FAN DATA	HAVA DEBİSİ/AIR FLOW RATE	m3/h	2473	2205	4511	4147	7016	6625
	HAVA GÜCÜ/AIR PROJECTION	M	12	12	15	15	20	20
	FAN ADETİ VE ÇAP / FAN NUMBER AND DIAMETER	mm	2X300	2X300	2X350	2X350	2X400	2X400
	TOPLAM GÜÇ / NO X POWER	W	1X75	1X75	1X140	1X140	1X180	1X180
	TOPLAM SES / TOTAL NOISE	A	72	72	64	64	73	73
	AMPER GÜCÜ / AMPERE POWER	db	0.33	0.33	0.6	0.6	0.39	0.39
	FAN DEVİRİ / FAN SPEED	min	1390r	1390r	1400r	1400r	1380r	1380r
BATARYA BATTERY	YÜZEY ALANI / SURFACE AREA	m2	10,59	14,12	23,54	29,42	29,18	38,90
	BORU HACMİ / PIPE VOLUME	lt	2,3	3,1	5,2	6,5	6,5	8,6
	LAMEL ARALIĞI / FIN PITCH	mm	6	6	6	6	6	6
	DEVRELEME / CIRCUIT	pcs	2	2	2	2	2	5
BOYUTLAR DIMENSION	GİRİŞ / INLET	mm	12	12	12	12	12	12
	ÇIKIŞ / OUTLET	mm	28	28	28	28	28	42
	A	mm	1120	1120	1300	1300	1590	1590
	B	mm	405	405	525	525	630	630
	C	mm	300	360	360	400	360	360
	D	mm	345	405	405	445	405	405
AĞIRLIK WEIGHT	NET	kg	41	47	67	76	83	95
	GROSS	kg	61	71	100	114	124	142
ISITICI DEFROST WATT	BATARYA / BATTERY	D1						
	BATARYA / BATTERY	D2	5X1200	5X1200	5X1400	5X1400	5X1400	5X1600
	TAVA / TRAY		1X1200	1X1200	1X1400	1X1400	1X1400	1X1600



A+3

A+3

GN 500 SERİSİ / SERIES



STANDART ODA SOĞUTUCULARI STANDARD UNIT AIR COOLERS

İKİ FANLI / TWO FANS

GN Unit Coolers

5/8" Cooper Tube - Surface Corrugated Aluminium Fins.

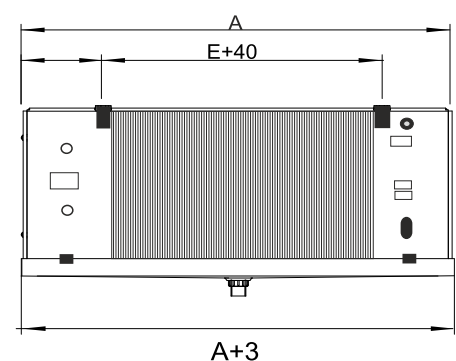
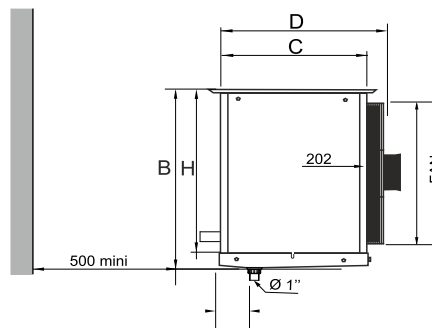
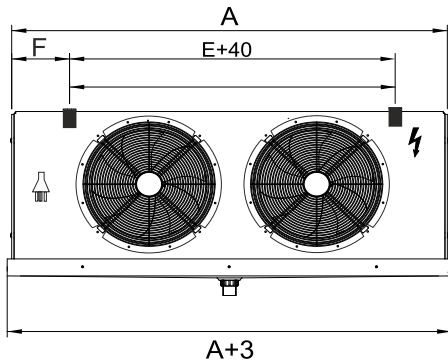
Kalıp Geometrisi / Mould Geometry 50x50

Bakır Boru / Copper Tube 5/8"

Gövde / Body STATİK BOYALI / STATIC PAINTED



KOD/CODE			GN 517 N	GN 518 N	GN 519 N	GN 520 N	GN 521 N
MODEL			40.2.5X10	45.2.4X12	45.2.5X12	50.2.6X12	50.2.6X14
WATT	DT1=8K	SC3	6477	7636	8338	11316	13034
	DT1=7K	SC4	5409	6315	6935	9366	10787
FAN BİLGİLERİ FAN DATA	HAVA DEBİSİ/AIR FLOW RATE	m3/h	6275	9091	8580	10533	11988
	HAVA GÜCÜ/AIR PROJECTION	M	20	25	25	30	30
	FAN ADETİ VE ÇAP / FAN NUMBER AND DIAMETER	mm	2X400	2X450	2X450	2X500	2X500
	TOPLAM GÜÇ / NO X POWER	W	1X180	1X250	1X250	1X450	1X450
	TOPLAM SES / TOTAL NOISE	A	73	73	73	72	72
	AMPER GÜCÜ / AMPERE POWER	db	0.39	0.6	0.6	0.9	0.9
	FAN DEVİRİ / FAN SPEED	min	1380r	1380r	1380r	1300r	1300r
BATARYA BATTERY	YÜZEY ALANI / SURFACE AREA	m2	48,63	46,68	58,35	70,02	81,69
	BORU HACMİ / PIPE VOLUME	lt	10,8	10,3	12,9	15,5	18,1
	LAMEL ARALIĞI / FIN PITCH	mm	6	6	6	6	6
	DEVRELEME / CIRCUIT	pcs	5	4	6	6	7
BOYUTLAR DIMENSION	GİRİŞ / INLET	mm	12	16	16	16	16
	ÇIKIŞ / OUTLET	mm	42	35	54	42	54
	A	mm	1590	1590	1590	1590	1590
	B	mm	630	740	740	740	850
	C	mm	400	360	400	450	450
	D	mm	445	405	445	495	495
AĞIRLIK WEIGHT	NET	kg	109	114	130	150	168
	GROSS	kg	164	170	195	225	252
ISITICI DEFROST WATT	BATARYA / BATTERY	D1					
	BATARYA / BATTERY	D2	5X1600	5X1600	5X1600	5X1600	5X1600
	TAVA / TRAY		1X1600	1X1600	1X1600	1X1600	1X1600



STANDART ODA SOĞUTUCULARI STANDARD UNIT AIR COOLERS

ÜÇ FANLI / THREE FANS

GN Unit Coolers

5/8" Cooper Tube - Surface Corrugated Aluminium Fins.

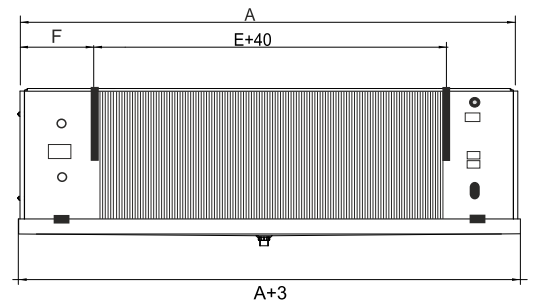
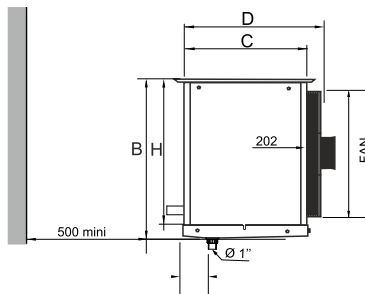
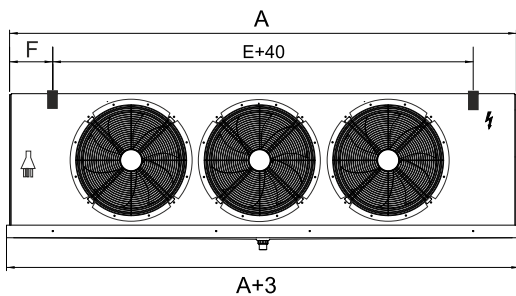
Kalip Geometrisi / Mould Geometry 50x50

Bakır Boru / Copper Tube 5/8"

Gövde / Body STATİK BOYALI / STATIC PAINTED



KOD/CODE			GN 522 P	GN 523 P	GN 524 P	GN 525 P	GN 526 P	GN 527 P	GN 528 P
MODEL			35.3.5X8	40.3.4X10	40.3.5X10	45.3.4X12	45.3.5X12	50.3.6X12	50.3.6X14
WATT	DT1=10K	SC1	11809	16456	20353	22216	22625	31179	36420
	DT1=8K	SC2	8228	10690	13455	14601	17029	20526	23997
FAN BİLGİLERİ FAN DATA	HAVA DEBİSİ/AIR FLOW RATE	m3/h	6106	9913	9388	13637	12836	15800	18000
	HAVA GÜCÜ/AIR PROJECTION	M	15	20	20	25	25	30	30
	FAN ADETİ VE ÇAP / FAN NUMBER AND DIAMETER	mm	3X350	3X400	3X400	3X450	3X450	3X500	3X500
	TOPLAM GÜÇ / NO X POWER	W	1X140	1X180	1X180	1X250	1X250	1X450	1X450
	TOPLAM SES / TOTAL NOISE	A	64	73	73	73	73	72	72
	AMPER GÜCÜ / AMPERE POWER	db	0.6	0.39	0.39	0.6	0.6	0.9	0.9
	FAN DEVİRİ / FAN SPEED	min	1400r	1380r	1380r	1380r	1380r	1300r	1300r
BATARYA BATTERY	YÜZEY ALANI / SURFACE AREA	m2	43,80	58,84	73,55	70,61	88,26	105,92	123,57
	BORU HACMİ / PIPE VOLUME	lt	9,7	13	16,3	15,6	19,5	23,4	27,3
	LAMEL ARALIĞI / FIN PITCH	mm	6	6	6	6	6	6	6
	DEVRELEME / CIRCUIT	pcs	4	5	5	6	6	9	10
BOYUTLAR DIMENSION	GİRİŞ / INLET	mm	12	16	16	16	19	19	19
	ÇIKIŞ / OUTLET	mm	35	42	42	42	42	54	54
	A	mm	1740	2200	2200	2200	2200	2200	2200
	B	mm	525	630	630	740	740	740	850
	C	mm	400	360	400	360	400	450	450
	D	mm	445	405	445	405	445	495	495
	E	mm	1340	1800	1800	1800	1800	1800	1800
AĞIRLIK WEIGHT	NET	kg	106	135	156	163	187	216	243
	GROSS	kg	159	203	234	244	281	324	364
ISITICI DEFROST WATT	BATARYA / BATTERY	D1	4X2500	4X2500	4X2500	4X2500	4X2500	4X2500	4X2500
	BATARYA / BATTERY	D2							
	TAVA / TRAY								



GN 500 SERİSİ / SERIES



STANDART ODA SOĞUTUCULARI STANDARD UNIT AIR COOLERS

ÜÇ FANLI / THREE FANS

GN Unit Coolers

5/8" Cooper Tube - Surface Corrugated Aluminium Fins.

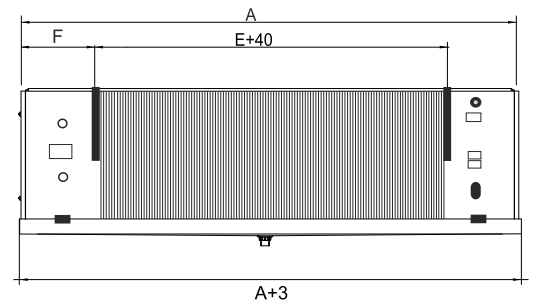
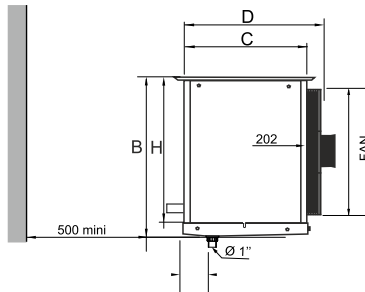
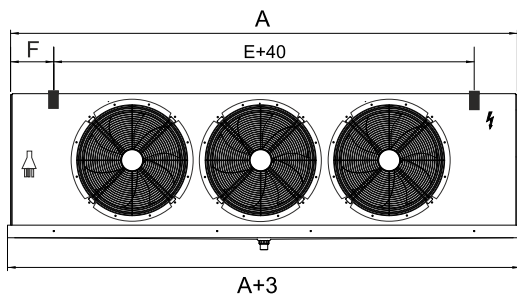
Kalip Geometrisi / Mould Geometry 50x50

Bakır Boru / Copper Tube 5/8"

Gövde / Body STATİK BOYALI / STATIC PAINTED



KOD/CODE			GN 522 N	GN 523 N	GN 524 N	GN 525 N	GN 526 N	GN 527 N	GN 528 N
MODEL			35.3.5X8	40.3.4X10	40.3.5X10	45.3.4X12	45.3.5X12	50.3.6X12	50.3.6X14
WATT	DT1=8K	SC3	6078	9009	10534	11557	13370	17136	19842
	DT1=7K	SC4	5267	7459	8877	9582	11183	14206	16543
FAN BİLGİLERİ FAN DATA	HAVA DEBİSİ/AIR FLOW RATE	m3/h	6106	9913	9388	13637	12836	15800	18000
	HAVA GÜCÜ/AIR PROJECTION	M	15	20	20	25	25	30	30
	FAN ADETİ VE ÇAP / FAN NUMBER AND DIAMETER	mm	3X350	3X400	3X400	3X450	3X450	3X500	3X500
	TOPLAM GÜÇ / NO X POWER	W	1X140	1X180	1X180	1X250	1X250	1X450	1X450
	TOPLAM SES / TOTAL NOISE	A	64	73	73	73	73	72	72
	AMPER GÜCÜ / AMPERE POWER	db	0.6	0.39	0.39	0.6	0.6	0.9	0.9
	FAN DEVİRİ / FAN SPEED	min	1400r	1380r	1380r	1380r	1380r	1300r	1300r
BATARYA BATTERY	YÜZEY ALANI / SURFACE AREA	m2	43,80	58,84	73,55	70,61	88,26	105,92	123,57
	BORU HACMİ / PIPE VOLUME	lt	9,7	13	16,3	15,6	19,5	23,4	27,3
	LAMEL ARALIĞI / FIN PITCH	mm	6	6	6	6	6	6	6
	DEVRELEME / CIRCUIT	pcs	4	5	5	6	6	9	10
BOYUTLAR DIMENSION	GİRİŞ / INLET	mm	12	16	16	16	19	19	19
	ÇIKIŞ / OUTLET	mm	42	42	42	42	42	54	54
	A	mm	1740	2200	2200	2200	2200	2200	2200
	B	mm	525	630	630	740	740	740	850
	C	mm	400	360	400	360	400	450	450
	D	mm	445	405	445	405	445	495	495
AĞIRLIK WEIGHT	NET	kg	106	135	156	163	187	216	243
	GROSS	kg	159	203	234	244	281	324	364
ISITICI DEFROST WATT	BATARYA / BATTERY	D1							
	BATARYA / BATTERY	D2	5X2500	5X2500	5X2500	5X2500	5X2500	5X2500	5X2500
	TAVA / TRAY		1X2500	1X2500	1X2500	1X2500	1X2500	1X2500	1X2500



STANDART ODA SOĞUTUCULARI STANDARD UNIT AIR COOLERS

DÖRT FANLI / FOUR FANS

GN Unit Coolers

5/8" Cooper Tube - Surface Corrugated Aluminium Fins.

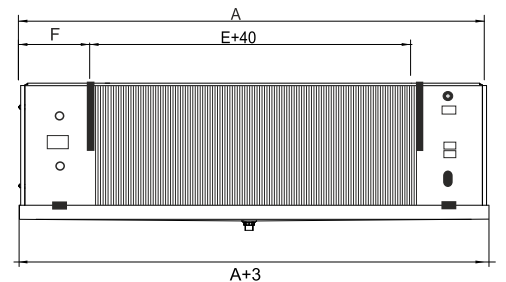
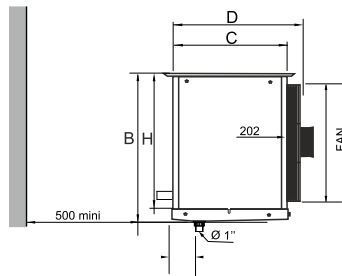
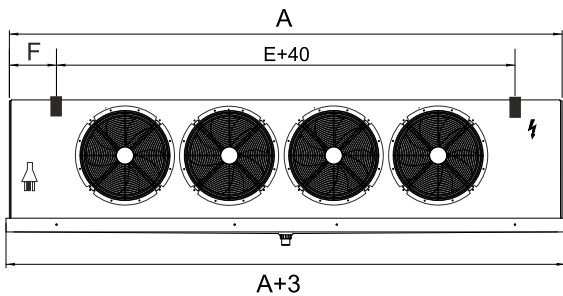
Kalip Geometrisi / Mould Geometry 50x50

Bakır Boru / Copper Tube 5/8"

Gövde / Body STATİK BOYALI / STATIC PAINTED



KOD/CODE			GN 529 P	GN 530 P	GN 531 P	GN 532 P	GN 533 P	GN 534 P	GN 535 P
MODEL			35.4.4X8	40.4.4X10	40.4.5X10	45.4.4X12	45.4.6X10	50.4.5X12	50.4.6X12
WATT	DT1=10K	SC1	13343	19523	23758	27010	29835	36717	41525
	DT1=8K	SC2	9168	12906	15811	17860	18457	25346	28430
FAN BİLGİLERİ FAN DATA	HAVA DEBİSİ/AIR FLOW RATE	m3/h	8703	12306	11460	17540	14520	23461	21070
	HAVA GÜCÜ/AIR PROJECTION	M	15	20	20	25	25	30	30
	FAN ADETİ VE ÇAP / FAN NUMBER AND DIAMETER	mm	4X350	4X400	4X400	4X450	4X450	4X500	4X500
	TOPLAM GÜÇ / NO X POWER	W	1X140	1X180	1X180	1X250	1X250	1X450	1X450
	TOPLAM SES / TOTAL NOISE	A	64	73	73	73	73	72	72
	AMPER GÜCÜ / AMPERE POWER	db	0.6	0.39	0.39	0.6	0.6	0.9	0.9
	FAN DEVİRİ / FAN SPEED	min	1400r	1380r	1380r	1380r	1380r	1300r	1300r
BATARYA BATTERY	YÜZEY ALANI / SURFACE AREA	m2	46,03	65,38	81,73	86,30	107,88	117,68	141,22
	BORU HACMİ / PIPE VOLUME	lt	10,2	14,5	18,1	19,1	23,9	26	31,2
	LAMEL ARALIĞI / FIN PITCH	mm	6	6	6	6	6	6	6
	DEVRELEME / CIRCUIT	pcs	4	5	5	6	10	10	12
BOYUTLAR DIMENSION	GİRİŞ / INLET	mm	22	22	22	22	22	22	22
	ÇIKIŞ / OUTLET	mm	35	42	42	42	54	54	64
	A	mm	2260	2500	2500	2700	2700	2900	2900
	B	mm	525	630	630	740	630	740	740
	C	mm	360	360	400	360	450	400	450
	D	mm	405	405	445	405	495	445	495
AĞIRLIK WEIGHT	NET	kg	120	155	179	200	229	250	284
	GROSS	kg	180	233	268	300	344	375	426
ISITICI DEFROST WATT	BATARYA / BATTERY	D1	4X2700	4X3000	4X3000	4X3000	4X3000	4X3500	4X3500
	BATARYA / BATTERY	D2							
	TAVA / TRAY								



GN 500 SERİSİ / SERIES



STANDART ODA SOĞUTUCULARI STANDARD UNIT AIR COOLERS

DÖRT FANLI / FOUR FANS

GN Unit Coolers

5/8" Cooper Tube - Surface Corrugated Aluminium Fins.

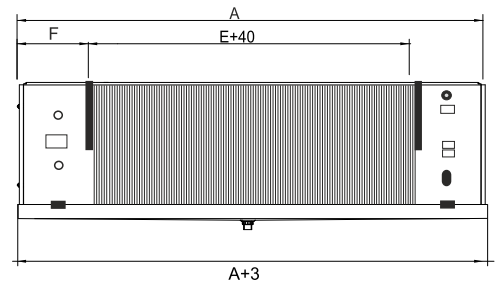
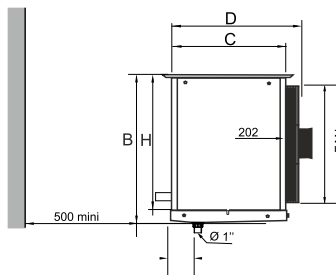
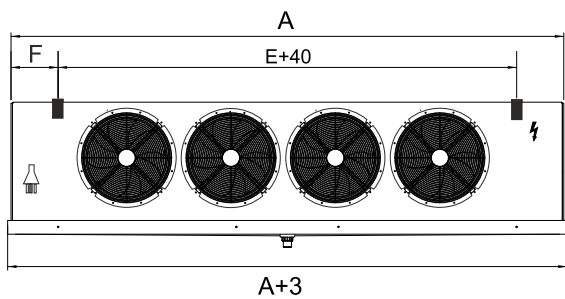
Kalip Geometrisi / Mould Geometry 50x50

Bakır Boru / Copper Tube 5/8"

Gövde / Body STATİK BOYALI / STATIC PAINTED



KOD/CODE			GN 529 N	GN 530 N	GN 531 N	GN 532 N	GN 533 N	GN 534 N	GN 535 N
MODEL			35.4.4X8	40.4.4X10	40.4.5X10	45.4.4X12	45.4.6X10	50.4.5X12	50.4.6X12
WATT	DT1=8K	SC3	7426	10589	12075	14359	14704	20715	22894
	DT1=7K	SC4	6141	8906	10068	11744	12153	17331	18989
FAN BİLGİLERİ FAN DATA	HAVA DEBİSİ/AIR FLOW RATE	m3/h	8703	12306	11460	17540	14520	23461	21070
	HAVA GÜCÜ/AIR PROJECTION	M	15	20	20	25	25	30	30
	FAN ADETİ VE ÇAPI / FAN NUMBER AND DIAMETER	mm	4X350	4X400	4X400	4X450	4X450	4X500	4X500
	TOPLAM GÜÇ / NO X POWER	W	1X140	1X180	1X180	1X250	1X250	1X450	1X450
	TOPLAM SES / TOTAL NOISE	A	64	73	73	73	73	72	72
	AMPER GÜCÜ / AMPERE POWER	db	0.6	0.39	0.39	0.6	0.6	0.9	0.9
	FAN DEVİRİ / FAN SPEED	min	1400r	1380r	1380r	1380r	1380r	1300r	1300r
BATARYA BATTERY	YÜZEY ALANI / SURFACE AREA	m2	46,03	65,38	81,73	86,30	107,88	117,68	141,22
	BORU HACMİ / PIPE VOLUME	lt	10,2	14,5	18,1	19,1	23,9	26	31,2
	LAMEL ARALIĞI / FIN PITCH	mm	6	6	6	6	6	6	6
	DEVRELEME / CIRCUIT	pcs	4	5	5	6	10	10	12
BOYUTLAR DIMENSION	GİRİŞ / INLET	mm	22	22	22	22	22	22	22
	ÇIKIŞ / OUTLET	mm	35	42	42	42	64	54	64
	A	mm	2260	2500	2500	2700	2700	2900	2900
	B	mm	525	630	630	740	630	740	740
	C	mm	360	360	400	360	450	400	450
	D	mm	405	405	445	405	495	445	495
AĞIRLIK WEIGHT	NET	kg	120	155	179	200	229	250	284
	GROSS	kg	180	233	268	300	344	375	426
ISITICI DEFROST WATT	BATARYA / BATTERY	D1							
	BATARYA / BATTERY	D2	5X2700	5X3000	5X3000	5X3000	5X3000	5X3500	5X3500
	TAVA / TRAY		1X2700	1X3000	1X3000	1X3000	1X3000	1X3500	1X3500



STANDART ODA SOĞUTUCULARI STANDARD UNIT AIR COOLERS

TEK FANLI / ONE FANS

GN Unit Coolers

5/8" Cooper Tube - Surface Corrugated Aluminium Fins.

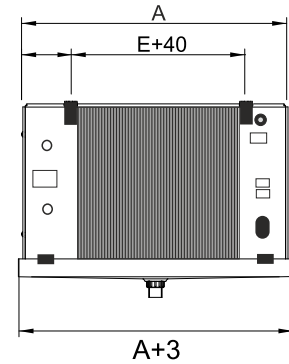
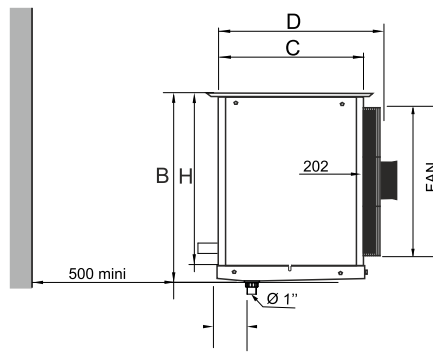
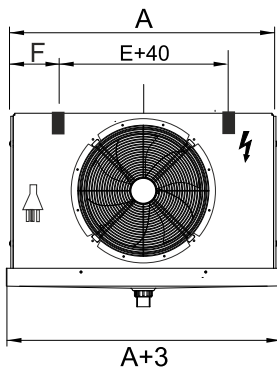
Kalip Geometrisi / Mould Geometry 50x50

Bakır Boru / Copper Tube 5/8"

Gövde / Body STATİK BOYALI / STATIC PAINTED



KOD/CODE			GN 700 P	GN 701 P	GN 702 P	GN 703 P	GN 704 P
MODEL			30.1.3X6	30.1.4X6	35.1.4X8	35.1.5X8	40.1.3X10
WATT	DT1=10K	SC1	822	1178	2101	2958	2438
	DT1=8K	SC2	604	859	1446	1895	1749
FAN BİLGİLERİ FAN DATA	HAVA DEBİSİ/AIR FLOW RATE	m3/h	1430	1320	2400	2200	3710
	HAVA GÜCÜ/AIR PROJECTION	M	12	12	15	15	20
	FAN ADETİ VE ÇAP / FAN NUMBER AND DIAMETER	mm	1X300	1X300	1X350	1X350	1X400
	TOPLAM GÜÇ / NO X POWER	W	1X75	1X75	1X140	1X140	1X180
	TOPLAM SES / TOTAL NOISE	A	72	72	64	64	73
	AMPER GÜCÜ / AMPERE POWER	db	0.33	0.33	0.6	0.6	0.39
	FAN DEVİRİ / FAN SPEED	min	1390r	1390r	1400r	1400r	1380r
BATARYA BATTERY	YÜZEY ALANI / SURFACE AREA	m2	5,07	6,75	9,21	11,51	12,01
	BORU HACMİ / PIPE VOLUME	lt	1,4	1,9	2,6	3,3	3,4
	LAMEL ARALIĞI / FIN PITCH	mm	8	8	8	8	8
	DEVRELEME / CIRCUIT	pcs	2	2	2	2	3
BOYUTLAR DIMENSION	GİRİŞ / INLET	mm	12	12	12	12	12
	ÇIKIŞ / OUTLET	mm	28	28	28	28	35
	A	mm	810	810	820	820	1000
	B	mm	405	405	525	525	630
	C	mm	300	360	360	400	360
	D	mm	345	405	405	445	405
AĞIRLIK WEIGHT	NET	kg	26	30	36	40	45
	GROSS	kg	39	44	54	60	68
ISITICI DEFROST WATT	BATARYA / BATTERY	D1	3X500	3X500	3X500	3X500	3X600
	BATARYA / BATTERY	D2					
	TAVA / TRAY						



GN 700 SERİSİ / SERIES



STANDART ODA SOĞUTUCULARI STANDARD UNIT AIR COOLERS

TEK FANLI / ONE FANS

GN Unit Coolers

5/8" Cooper Tube - Surface Corrugated Aluminium Fins.

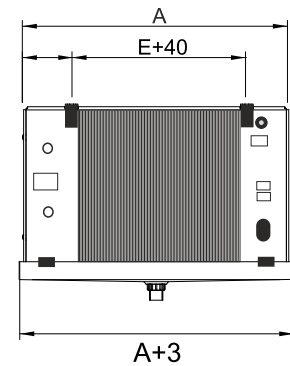
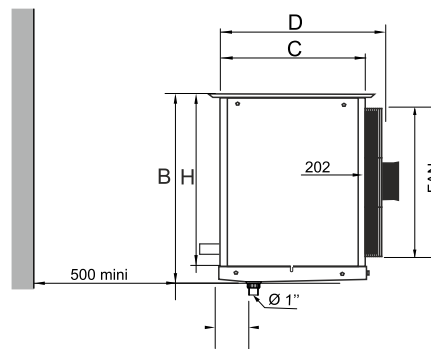
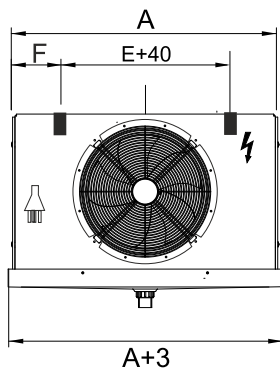
Kalıp Geometrisi / Mould Geometry 50x50

Bakır Boru / Copper Tube 5/8"

Gövde / Body STATİK BOYALI / STATIC PAINTED



KOD/CODE			GN 705 P	GN 706 P	GN 707 P	GN 708 P	GN 709 P	GN 710 P
MODEL			40.1.4X10	40.1.5X10	45.1.4X12	45.1.5X12	50.1.5X12	50.1.6X12
WATT	DT1=10K	SC1	4958	6814	6583	7511	8786	8757
	DT1=8K	SC2	3028	3891	4305	4629	5903	5568
FAN BİLGİLERİ FAN DATA	HAVA DEBİSİ/AIR FLOW RATE	m3/h	3500	3340	4820	4600	6050	6560
	HAVA GÜCÜ/AIR PROJECTION	M	20	20	25	25	30	30
	FAN ADETİ VE ÇAP / FAN NUMBER AND DIAMETER	mm	1X400	1X400	1X450	1X450	1X500	1X500
	TOPLAM GÜÇ / NO X POWER	W	1X180	1X180	1X250	1X250	1X450	1X450
	TOPLAM SES / TOTAL NOISE	A	73	73	73	73	72	72
	AMPER GÜCÜ / AMPERE POWER	db	0.39	0.39	0.6	0.6	0.9	0.9
	FAN DEVİRİ / FAN SPEED	min	1380r	1380r	1380r	1380r	1300r	1300r
BATARYA BATTERY	YÜZEY ALANI / SURFACE AREA	m2	16,01	21,52	19,21	24,02	24,02	28,82
	BORU HACMİ / PIPE VOLUME	lt	4,6	5,7	5,5	6,8	6,8	8,2
	LAMEL ARALIĞI / FIN PITCH	mm	8	8	8	8	8	8
	DEVRELEME / CIRCUIT	pcs	2	2	2	3	3	5
BOYUTLAR DIMENSION	GİRİŞ / INLET	mm	12	12	12	12	12	12
	ÇIKIŞ / OUTLET	mm	28	28	28	35	35	42
	A	mm	1000	1000	1000	1000	1000	1000
	B	mm	630	630	740	740	740	740
	C	mm	360	400	360	400	400	450
	D	mm	405	445	405	445	445	495
AĞIRLIK WEIGHT	NET	kg	50	59	60	67	68	76
	GROSS	kg	75	88	89	100	102	114
ISITICI DEFROST WATT	BATARYA / BATTERY	D1	3X600	3X700	4X900	4X900	4X900	4X900
	BATARYA / BATTERY	D2						
	TAVA / TRAY							



STANDART ODA SOĞUTUCULARI STANDARD UNIT AIR COOLERS

TEK FANLI / ONE FANS

GN Unit Coolers

5/8" Cooper Tube - Surface Corrugated Aluminium Fins.

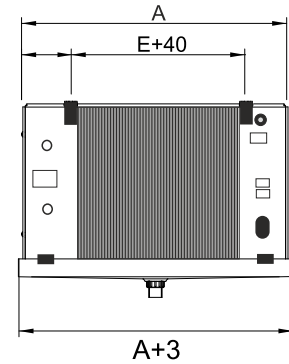
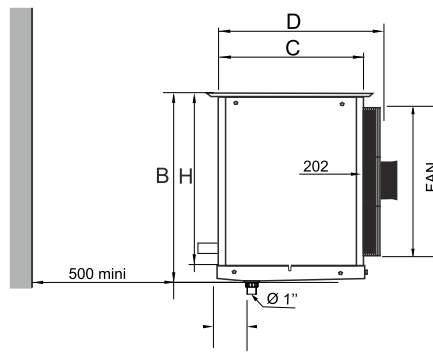
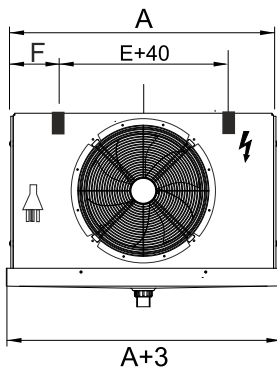
Kalip Geometrisi / Mould Geometry 50x50

Bakır Boru / Copper Tube 5/8"

Gövde / Body STATİK BOYALI / STATIC PAINTED



KOD/CODE			GN 700 N	GN 701 N	GN 702 N	GN 703 N	GN 704 N
MODEL			30.1.3X6	30.1.4X6	35.1.4X8	35.1.5X8	40.1.3X10
WATT	DT1=8K	SC3	573	767	1261	1621	1540
	DT1=7K	SC4	498	663	1070	1365	1318
FAN BİLGİLERİ FAN DATA	HAVA DEBİSİ/AIR FLOW RATE	m3/h	1430	1320	2400	2200	3710
	HAVA GÜCÜ/AIR PROJECTION	M	12	12	15	15	20
	FAN ADETİ VE ÇAP / FAN NUMBER AND DIAMETER	mm	1X300	1X300	1X350	1X350	1X400
	TOPLAM GÜÇ / NO X POWER	W	1X75	1X75	1X140	1X140	1X180
	TOPLAM SES / TOTAL NOISE	A	72	72	64	64	73
	AMPER GÜCÜ / AMPERE POWER	db	0.33	0.33	0.6	0.6	0.39
	FAN DEVİRİ / FAN SPEED	min	1390r	1390r	1400r	1400r	1380r
BATARYA BATTERY	YÜZEY ALANI / SURFACE AREA	m2	5,07	6,75	9,21	11,51	12,01
	BORU HACMİ / PIPE VOLUME	lt	1,4	1,9	2,6	3,3	3,4
	LAMEL ARALIĞI / FIN PITCH	mm	8	8	8	8	8
	DEVRELEME / CIRCUIT	pcs	2	2	2	2	3
BOYUTLAR DIMENSION	GİRİŞ / INLET	mm	12	12	12	12	12
	ÇIKIŞ / OUTLET	mm	28	28	28	28	35
	A	mm	810	810	820	820	1000
	B	mm	405	405	525	525	630
	C	mm	300	360	360	400	360
	D	mm	345	405	405	445	405
AĞIRLIK WEIGHT	NET	kg	26	30	36	40	45
	GROSS	kg	39	44	54	60	68
ISITICI DEFROST WATT	BATARYA / BATTERY	D1					
	BATARYA / BATTERY	D2	4X500	4X500	4X500	4X500	4X600
	TAVA / TRAY		1X500	1X500	1X500	1X500	1X600



GN 700 SERİSİ / SERIES



STANDART ODA SOĞUTUCULARI STANDARD UNIT AIR COOLERS

TEK FANLI / ONE FANS

GN Unit Coolers

5/8" Cooper Tube - Surface Corrugated Aluminium Fins.

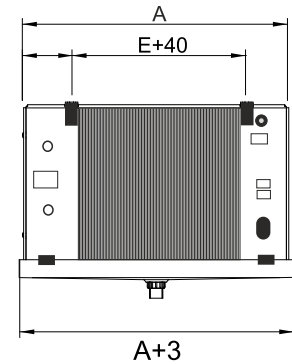
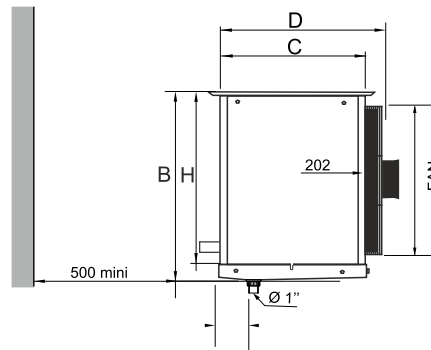
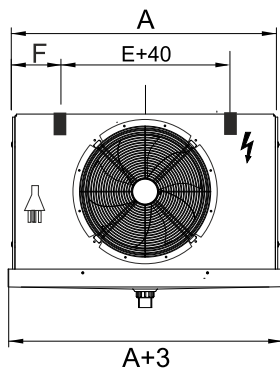
Kalıp Geometrisi / Mould Geometry 50x50

Bakır Boru / Copper Tube 5/8"

Gövde / Body STATİK BOYALI / STATIC PAINTED



KOD/CODE			GN 705 N	GN 706 N	GN 707 N	GN 708 N	GN 709 N	GN 710 N
MODEL			40.1.4X10	40.1.5X10	45.1.4X12	45.1.5X12	50.1.5X12	50.1.6X12
WATT	DT1=8K	SC3	2593	3252	3554	3925	4544	4993
	DT1=7K	SC4	2143	2691	2806	3242	3716	3868
FAN BİLGİLERİ FAN DATA	HAVA DEBİSİ/AIR FLOW RATE	m3/h	3500	3340	4820	4600	6050	6560
	HAVA GÜCÜ/AIR PROJECTION	M	20	20	25	25	30	30
	FAN ADETİ VE ÇAP / FAN NUMBER AND DIAMETER	mm	1X400	1X400	1X450	1X450	1X500	1X500
	TOPLAM GÜÇ / NO X POWER	W	1X180	1X180	1X250	1X250	1X450	1X450
	TOPLAM SES / TOTAL NOISE	A	73	73	73	73	72	72
	AMPER GÜCÜ / AMPERE POWER	db	0.39	0.39	0.6	0.6	0.9	0.9
	FAN DEVİRİ / FAN SPEED	min	1380r	1380r	1380r	1380r	1300r	1300r
BATARYA BATTERY	YÜZEY ALANI / SURFACE AREA	m2	16,01	21,52	19,21	24,02	24,02	28,82
	BORU HACMİ / PIPE VOLUME	lt	4,6	5,7	5,5	6,8	6,8	8,2
	LAMEL ARALIĞI / FIN PITCH	mm	8	8	8	8	8	8
	DEVRELEME / CIRCUIT	pcs	2	2	2	3	3	5
BOYUTLAR DIMENSION	GİRİŞ / INLET	mm	12	12	12	12	12	12
	ÇIKIŞ / OUTLET	mm	28	28	28	35	35	42
	A	mm	1000	1000	1000	1000	1000	1000
	B	mm	630	630	740	740	740	740
	C	mm	360	400	360	400	400	450
	D	mm	405	445	405	445	445	495
AĞIRLIK WEIGHT	NET	kg	50	59	60	67	68	76
	GROSS	kg	75	88	89	100	102	114
ISITICI DEFROST WATT	BATARYA / BATTERY	D1						
	BATARYA / BATTERY	D2	4X600	4X700	5X900	5X900	5X900	5X900
	TAVA / TRAY		1X600	1X700	1X900	1X900	1X900	1X900



STANDART ODA SOĞUTUCULARI STANDARD UNIT AIR COOLERS

İKİ FANLI / TWO FANS

GN Unit Coolers

5/8" Cooper Tube - Surface Corrugated Aluminium Fins.

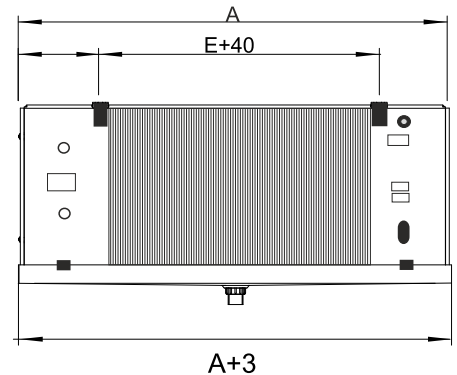
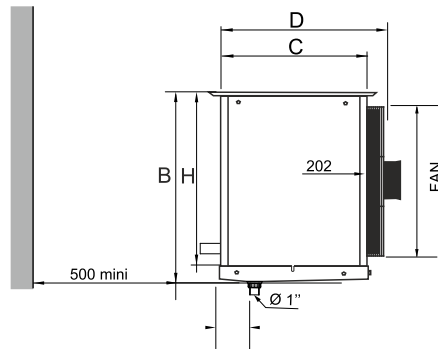
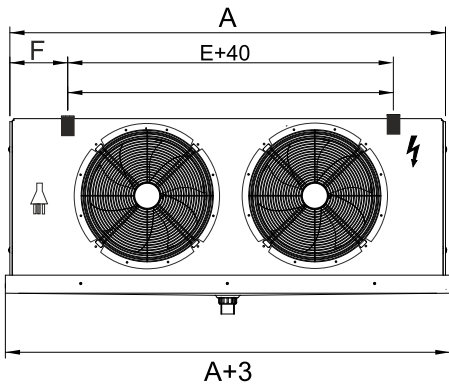
Kalip Geometrisi / Mould Geometry 50x50

Bakır Boru / Copper Tube 5/8"

Gövde / Body STATİK BOYALI / STATIC PAINTED



KOD/CODE			GN 711 P	GN 712 P	GN 713 P	GN 714 P	GN 715 P
MODEL			30.2.3X6	30.2.4X6	35.2.4X8	35.2.5X8	40.2.3X10
WATT	DT1=10K	SC1	2198	3420	6261	7734	7170
	DT1=8K	SC2	1472	2238	3950	5110	4980
FAN BİLGİLERİ FAN DATA	HAVA DEBİSİ/AIR FLOW RATE	m3/h	2810	2600	4760	4410	7220
	HAVA GÜCÜ/AIR PROJECTION	M	12	12	15	15	20
	FAN ADETİ VE ÇAP / FAN NUMBER AND DIAMETER	mm	2X300	2X300	2X350	2X350	2X400
	TOPLAM GÜÇ / NO X POWER	W	1X75	1X75	1X140	1X140	1X180
	TOPLAM SES / TOTAL NOISE	A	72	72	64	64	73
	AMPER GÜCÜ / AMPERE POWER	db	0.33	0.33	0.6	0.6	0.39
	FAN DEVİRİ / FAN SPEED	min	1390r	1390r	1400r	1400r	1380r
BATARYA BATTERY	YÜZEY ALANI / SURFACE AREA	m2	10,13	13,51	18,01	22,51	22,33
	BORU HACMİ / PIPE VOLUME	lt	2,9	3,9	5,1	6,4	6,4
	LAMEL ARALIĞI / FIN PITCH	mm	8	8	8	8	8
	DEVRELEME / CIRCUIT	pcs	2	2	2	2	3
BOYUTLAR DIMENSION	GİRİŞ / INLET	mm	12	12	12	12	12
	ÇIKIŞ / OUTLET	mm	28	28	28	28	35
	A	mm	1300	1300	1300	1300	1590
	B	mm	405	405	525	525	630
	C	mm	300	360	360	400	360
	D	mm	345	405	405	445	405
AĞIRLIK WEIGHT	NET	kg	42	48	59	67	83
	GROSS	kg	63	72	89	100	125
ISITICI DEFROST WATT	BATARYA / BATTERY	D1	4X1200	4X1200	4X1400	4X1400	4X1400
	BATARYA / BATTERY	D2					
	TAVA / TRAY						



GN 700 SERİSİ / SERIES



STANDART ODA SOĞUTUCULARI STANDARD UNIT AIR COOLERS

İKİ FANLI / TWO FANS

GN Unit Coolers

5/8" Cooper Tube - Surface Corrugated Aluminium Fins.

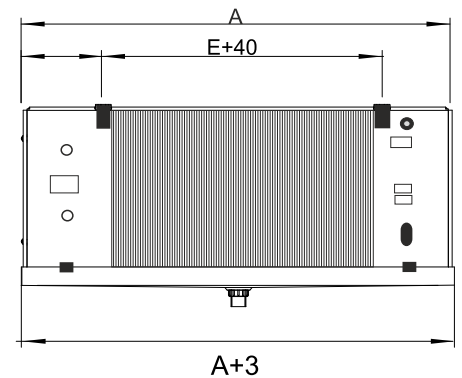
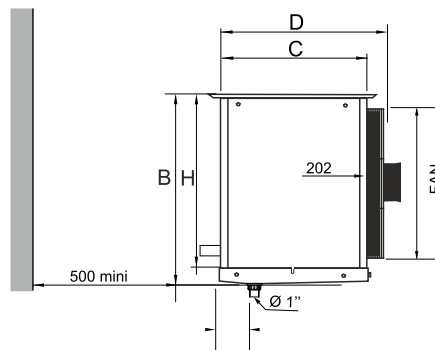
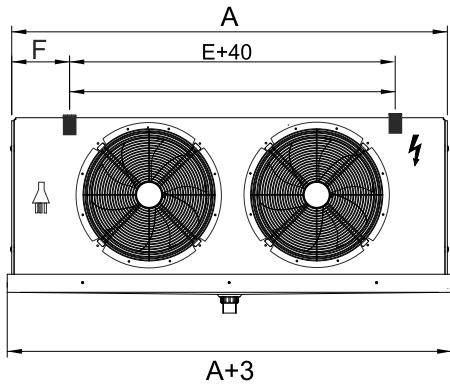
Kalıp Geometrisi / Mould Geometry 50x50

Bakır Boru / Copper Tube 5/8"

Gövde / Body STATİK BOYALI / STATIC PAINTED



KOD/CODE			GN 716 P	GN 717 P	GN 718 P	GN 719 P	GN 720 P	GN 721 P
MODEL			40.2.4X10	40.2.5X10	45.2.4X12	45.2.5X12	50.2.6X12	50.2.6X14
WATT	DT1=10K	SC1	7841	10828	12284	13701	18870	21699
	DT1=8K	SC2	5095	6930	7754	8774	11987	13705
FAN BİLGİLERİ FAN DATA	HAVA DEBİSİ/AIR FLOW RATE	m3/h	6870	6350	9440	8980	11280	12690
	HAVA GÜCÜ/AIR PROJECTION	M	20	20	25	25	30	30
	FAN ADETİ VE ÇAP / FAN NUMBER AND DIAMETER	mm	2X400	2X400	2X450	2X450	2X500	2X500
	TOPLAM GÜÇ / NO X POWER	W	1X180	1X180	1X250	1X250	1X450	1X450
	TOPLAM SES / TOTAL NOISE	A	73	73	73	73	72	72
	AMPER GÜCÜ / AMPERE POWER	db	0.39	0.39	0.6	0.6	0.9	0.9
	FAN DEVİRİ / FAN SPEED	min	1380r	1380r	1380r	1380r	1300r	1300r
BATARYA BATTERY	YÜZEY ALANI / SURFACE AREA	m2	29,77	37,21	35,72	44,65	53,58	62,52
	BORU HACMİ / PIPE VOLUME	lt	8,5	10,6	10,2	12,7	15,3	17,8
	LAMEL ARALIĞI / FIN PITCH	mm	8	8	8	8	8	8
	DEVRELEME / CIRCUIT	pcs	5	5	4	6	6	7
BOYUTLAR DIMENSION	GİRİŞ / INLET	mm	12	12	12	16	16	16
	ÇIKIŞ / OUTLET	mm	42	42	35	42	42	54
	A	mm	1590	1590	1590	1590	1590	1590
	B	mm	630	630	740	740	740	850
	C	mm	360	400	360	400	400	450
	D	mm	405	445	405	445	495	495
AĞIRLIK WEIGHT	NET	kg	92	94	99	112	125	142
	GROSS	kg	138	140	148	167	187	213
ISITICI DEFROST WATT	BATARYA / BATTERY	D1	4X1600	4X1600	4X1600	4X1600	4X1600	4X1600
	BATARYA / BATTERY	D2						
	TAVA / TRAY							



STANDART ODA SOĞUTUCULARI STANDARD UNIT AIR COOLERS

İKİ FANLI / TWO FANS

GN Unit Coolers

5/8" Cooper Tube - Surface Corrugated Aluminium Fins.

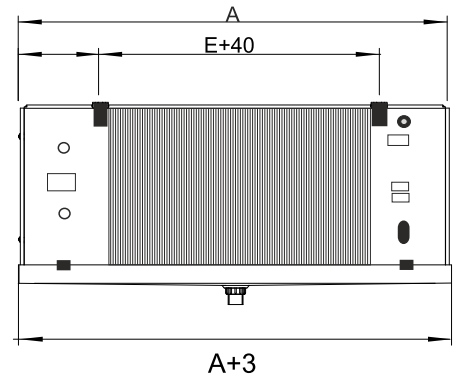
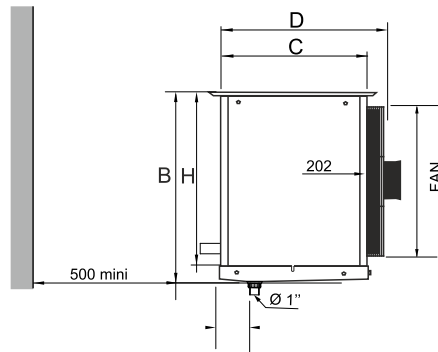
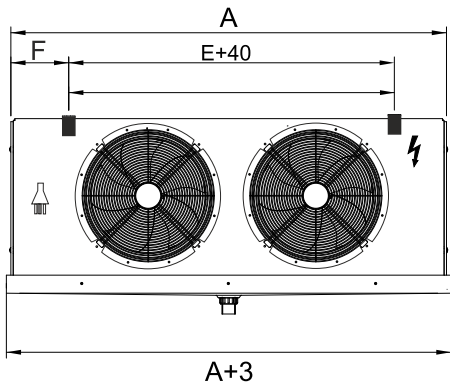
Kalıp Geometrisi / Mould Geometry 50x50

Bakır Boru / Copper Tube 5/8"

Gövde / Body STATİK BOYALI / STATIC PAINTED



KOD/CODE			GN 711 N	GN 712 N	GN 713 N	GN 714 N	GN 715 N	GN 716 N
MODEL			30.2.3X6	30.2.4X6	35.2.4X8	35.2.5X8	40.2.3X10	40.2.4X10
WATT	DT1=8K	SC3	1361	1910	3381	4015	3840	4342
	DT1=7K	SC4	1154	1603	2777	3276	3168	3647
FAN BİLGİLERİ FAN DATA	HAVA DEBİSİ/AIR FLOW RATE	m3/h	2810	2600	4760	4410	7220	6870
	HAVA GÜCÜ/AIR PROJECTION	M	12	12	15	15	20	20
	FAN ADETİ VE ÇAP / FAN NUMBER AND DIAMETER	mm	2X300	2X300	2X350	2X350	2X400	2X400
	TOPLAM GÜÇ / NO X POWER	W	1X75	1X75	1X140	1X140	1X180	1X180
	TOPLAM SES / TOTAL NOISE	A	72	72	64	64	73	73
	AMPER GÜCÜ / AMPERE POWER	db	0.33	0.33	0.6	0.6	0.39	0.39
	FAN DEVİRİ / FAN SPEED	min	1390r	1390r	1400r	1400r	1380r	1380r
BATARYA BATTERY	YÜZEY ALANI / SURFACE AREA	m2	10,13	13,51	18,01	22,51	22,33	29,77
	BORU HACMİ / PIPE VOLUME	lt	2,9	3,9	5,1	6,4	6,4	8,5
	LAMEL ARALIĞI / FIN PITCH	mm	8	8	8	8	8	8
	DEVRELEME / CIRCUIT	pcs	2	2	2	2	3	5
BOYUTLAR DIMENSION	GİRİŞ / INLET	mm	12	12	12	12	12	12
	ÇIKIŞ / OUTLET	mm	28	28	28	28	35	42
	A	mm	1300	1300	1300	1300	1590	1590
	B	mm	405	405	525	525	630	630
	C	mm	300	360	360	400	360	360
	D	mm	345	405	405	445	405	405
AĞIRLIK WEIGHT	NET	kg	42	48	59	67	83	92
	GROSS	kg	63	72	89	100	125	138
ISITICI DEFROST WATT	BATARYA / BATTERY	D1						
	BATARYA / BATTERY	D2	5X1200	5X1200	5X1400	5X1400	5X1400	5X1600
	TAVA / TRAY		1X1200	1X1200	1X1400	1X1400	1X1400	1X1600



GN 700 SERİSİ / SERIES



STANDART ODA SOĞUTUCULARI STANDARD UNIT AIR COOLERS

İKİ FANLI / TWO FANS

GN Unit Coolers

5/8" Cooper Tube - Surface Corrugated Aluminium Fins.

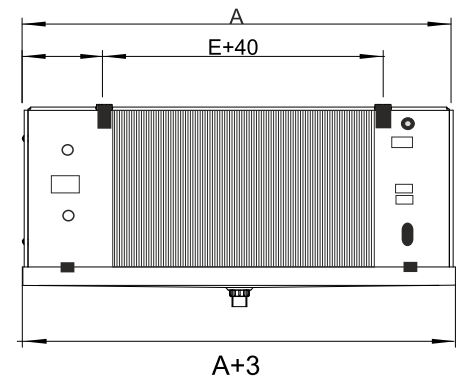
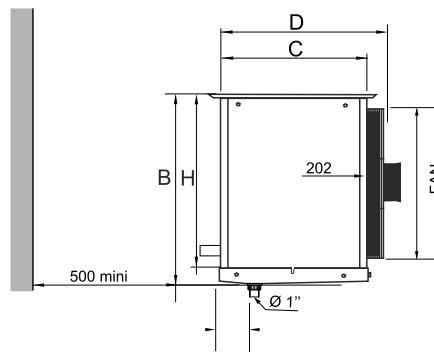
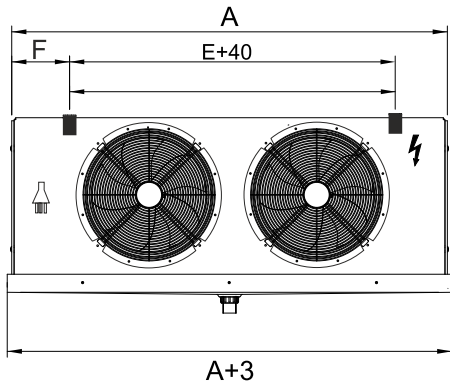
Kalıp Geometrisi / Mould Geometry 50x50

Bakır Boru / Copper Tube 5/8"

Gövde / Body STATİK BOYALI / STATIC PAINTED



KOD/CODE			GN 717 N	GN 718 N	GN 719 N	GN 720 N	GN 721 N
MODEL			40.2.5X10	45.2.4X12	45.2.5X12	50.2.6X12	50.2.6X14
WATT	DT1=8K	SC3	5642	6706	7284	10291	11766
	DT1=7K	SC4	4708	5512	6039	8455	9678
FAN BİLGİLERİ FAN DATA	HAVA DEBİSİ/AIR FLOW RATE	m3/h	6350	9440	8980	11280	12690
	HAVA GÜCÜ/AIR PROJECTION	M	20	25	25	30	30
	FAN ADETİ VE ÇAP / FAN NUMBER AND DIAMETER	mm	2X400	2X450	2X450	2X500	2X500
	TOPLAM GÜÇ / NO X POWER	W	1X180	1X250	1X250	1X450	1X450
	TOPLAM SES / TOTAL NOISE	A	73	73	73	72	72
	AMPER GÜCÜ / AMPERE POWER	db	0.39	0.6	0.6	0.9	0.9
	FAN DEVİRİ / FAN SPEED	min	1380r	1380r	1380r	1300r	1300r
BATARYA BATTERY	YÜZEY ALANI / SURFACE AREA	m2	37,21	35,72	44,65	53,58	62,52
	BORU HACMİ / PIPE VOLUME	lt	10,6	10,2	12,7	15,3	17,8
	LAMEL ARALIĞI / FIN PITCH	mm	8	8	8	8	8
	DEVRELEME / CIRCUIT	pcs	5	4	6	6	7
BOYUTLAR DIMENSION	GİRİŞ / INLET	mm	12	12	16	16	16
	ÇIKIŞ / OUTLET	mm	42	35	54	42	54
	A	mm	1590	1590	1590	1590	1590
	B	mm	630	740	740	740	850
	C	mm	400	360	400	400	450
	D	mm	445	405	445	495	495
AĞIRLIK WEIGHT	NET	kg	94	99	112	125	142
	GROSS	kg	140	148	167	187	213
ISITICI DEFROST WATT	BATARYA / BATTERY	D1					
	BATARYA / BATTERY	D2	5X1600	5X1600	5X1600	5X1600	5X1600
	TAVA / TRAY		1X1600	1X1600	1X1600	1X1600	1X1600



STANDART ODA SOĞUTUCULARI STANDARD UNIT AIR COOLERS

ÜÇ FANLI / THREE FANS

GN Unit Coolers

5/8" Cooper Tube - Surface Corrugated Aluminium Fins.

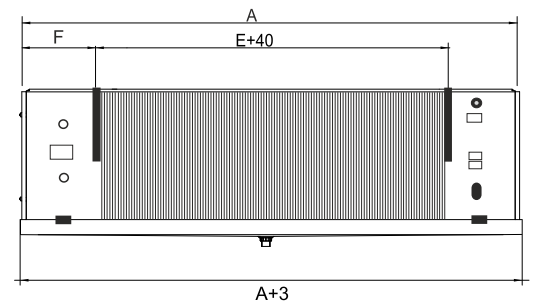
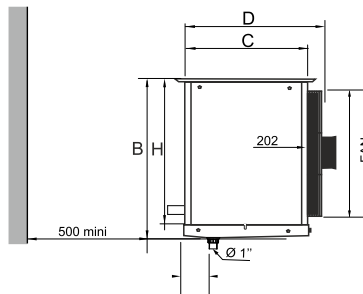
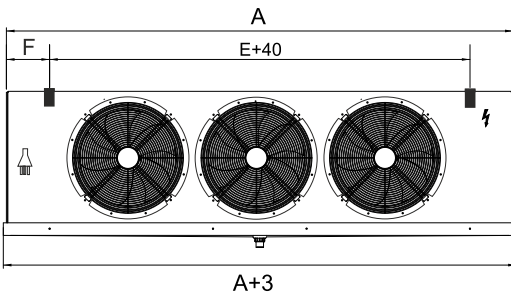
Kalip Geometrisi / Mould Geometry 50x50

Bakır Boru / Copper Tube 5/8"

Gövde / Body STATİK BOYALI / STATIC PAINTED



KOD/CODE			GN 722 P	GN 723 P	GN 724 P	GN 725 P	GN 726 P	GN 727 P	GN 728 P
MODEL			35.3.5X8	40.3.4X10	40.3.5X10	45.3.4X12	45.3.5X12	50.3.6X12	50.3.6X14
WATT	DT1=10K	SC1	10695	14686	18457	18767	23431	30944	35762
	DT1=8K	SC2	6358	9131	12002	11788	15247	20081	23102
FAN BİLGİLERİ FAN DATA	HAVA DEBİSİ/AIR FLOW RATE	m3/h	6500	10270	9780	14160	13420	16830	18960
	HAVA GÜCÜ/AIR PROJECTION	M	15	20	20	25	25	30	30
	FAN ADETİ VE ÇAP / FAN NUMBER AND DIAMETER	mm	3X350	3X400	3X400	3X450	3X450	3X500	3X500
	TOPLAM GÜÇ / NO X POWER	W	1X140	1X180	1X180	1X250	1X250	1X450	1X450
	TOPLAM SES / TOTAL NOISE	A	64	73	73	73	73	72	72
	AMPER GÜCÜ / AMPERE POWER	db	0.6	0.39	0.39	0.6	0.6	0.9	0.9
	FAN DEVİRİ / FAN SPEED	min	1400r	1380r	1380r	1380r	1380r	1300r	1300r
BATARYA BATTERY	YÜZEY ALANI / SURFACE AREA	m2	33,52	48,41	60,52	54,04	67,54	81,05	94,56
	BORU HACMİ / PIPE VOLUME	lt	9,6	12,8	16,1	15,4	19,3	23,1	27
	LAMEL ARALIĞI / FIN PITCH	mm	8	8	8	8	8	8	8
	DEVRELEME / CIRCUIT	pcs	4	5	5	6	6	6	7
BOYUTLAR DIMENSION	GİRİŞ / INLET	mm	12	16	16	16	16	19	19
	ÇIKIŞ / OUTLET	mm	35	42	42	42	42	42	54
	A	mm	1740	2200	2200	2200	2200	2200	2200
	B	mm	525	630	630	740	740	740	850
	C	mm	400	360	400	360	400	450	450
	D	mm	445	405	445	405	445	495	495
AĞIRLIK WEIGHT	NET	kg	110	120	138	139	159	182	203
	GROSS	kg	165	180	206	209	238	273	304
ISITICI DEFROST WATT	BATARYA / BATTERY	D1	4X2500	4X2500	4X2500	4X2500	4X2500	4X2500	4X2500
	BATARYA / BATTERY	D2							
	TAVA / TRAY								



GN 700 SERİSİ / SERIES



STANDART ODA SOĞUTUCULARI STANDARD UNIT AIR COOLERS

ÜÇ FANLI / THREE FANS

GN Unit Coolers

5/8" Cooper Tube - Surface Corrugated Aluminium Fins.

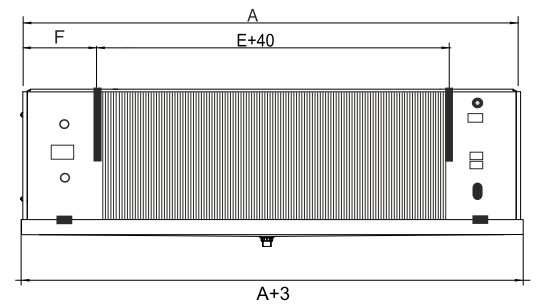
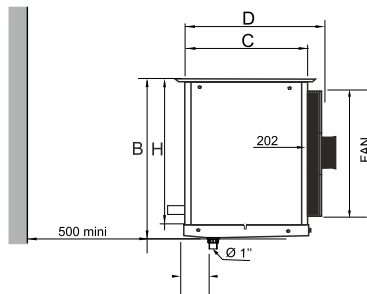
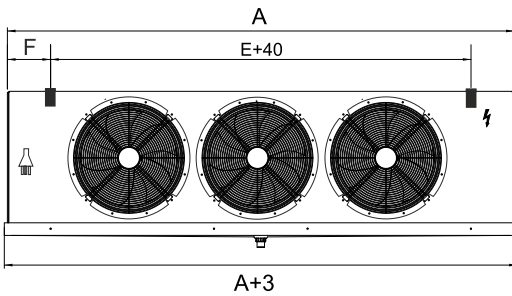
Kalip Geometrisi / Mould Geometry 50x50

Bakır Boru / Copper Tube 5/8"

Gövde / Body STATİK BOYALI / STATIC PAINTED



KOD/CODE			GN 722 N	GN 723 N	GN 724 N	GN 725 N	GN 726 N	GN 727 N	GN 728 N
MODEL			35.3.5X8	40.3.4X10	40.3.5X10	45.3.4X12	45.3.5X12	50.3.6X12	50.3.6X14
WATT	DT1=8K	SC3	5654	7861	9595	10164	11977	15398	16884
	DT1=7K	SC4	4676	6498	7571	8363	9688	12634	13492
FAN BİLGİLERİ FAN DATA	HAVA DEBİSİ/AIR FLOW RATE	m3/h	6500	10270	9780	14160	13420	16830	18960
	HAVA GÜCÜ/AIR PROJECTION	M	15	20	20	25	25	30	30
	FAN ADETİ VE ÇAPI / FAN NUMBER AND DIAMETER	mm	3X350	3X400	3X400	3X450	3X450	3X500	3X500
	TOPLAM GÜÇ / NO X POWER	W	1X140	1X180	1X180	1X250	1X250	1X450	1X450
	TOPLAM SES / TOTAL NOISE	A	64	73	73	73	73	72	72
	AMPER GÜCÜ / AMPERE POWER	db	0.6	0.39	0.39	0.6	0.6	0.9	0.9
	FAN DEVİRİ / FAN SPEED	min	1400r	1380r	1380r	1380r	1380r	1300r	1300r
BATARYA BATTERY	YÜZEY ALANI / SURFACE AREA	m2	33,52	48,41	60,52	54,04	67,54	81,05	101,67
	BORU HACMİ / PIPE VOLUME	lt	9,6	12,8	16,1	15,4	19,3	23,1	27
	LAMEL ARALIĞI / FIN PITCH	mm	8	8	8	8	8	8	8
	DEVRELEME / CIRCUIT	pcs	4	5	5	6	6	6	7
BOYUTLAR DIMENSION	GİRİŞ / INLET	mm	12	16	16	16	16	19	19
	ÇIKIŞ / OUTLET	mm	42	42	42	42	42	42	54
	A	mm	1740	2200	2200	2200	2200	2200	2200
	B	mm	525	630	630	740	740	740	850
	C	mm	400	360	400	360	400	450	450
	D	mm	445	405	445	405	445	495	495
AĞIRLIK WEIGHT	NET	kg	110	120	138	139	159	182	203
	GROSS	kg	165	180	206	209	238	273	304
ISITICI DEFROST WATT	BATARYA / BATTERY	D1							
	BATARYA / BATTERY	D2	5X2500	5X2500	5X2500	5X2500	5X2500	5X2500	5X2500
	TAVA / TRAY		1X2500	1X2500	1X2500	1X2500	1X2500	1X2500	1X2500



STANDART ODA SOĞUTUCULARI STANDARD UNIT AIR COOLERS

DÖRT FANLI / FOUR FANS

GN Unit Coolers

5/8" Cooper Tube - Surface Corrugated Aluminium Fins.

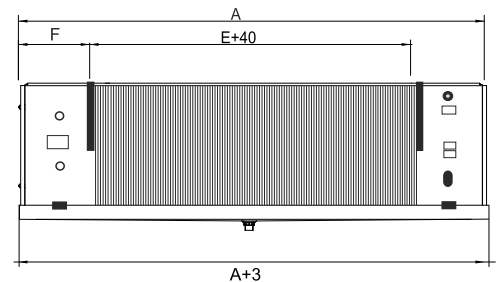
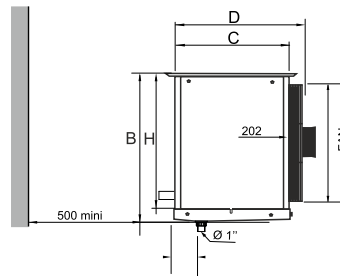
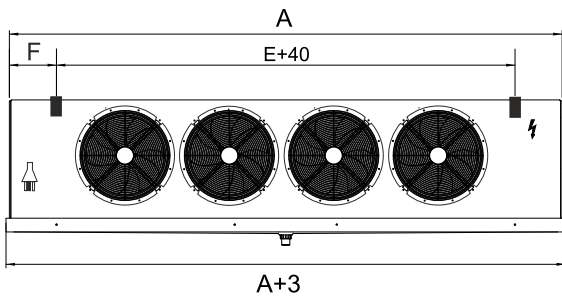
Kalip Geometrisi / Mould Geometry 50x50

Bakır Boru / Copper Tube 5/8"

Gövde / Body STATİK BOYALI / STATIC PAINTED



KOD/CODE			GN 729 P	GN 730 P	GN 731 P	GN 732 P	GN 733 P	GN 734 P	GN 735 P
MODEL			35.4.4X8	40.4.4X10	40.4.5X10	45.4.6X10	45.4.6X12	50.4.5X12	50.4.6X12
WATT	DT1=10K	SC1	12039	17716	21990	29739	33257	33663	40676
	DT1=8K	SC2	7311	11598	14260	19459	21621	22102	26429
FAN BİLGİLERİ FAN DATA	HAVA DEBİSİ/AIR FLOW RATE	m3/h	9230	12850	12080	14760	16340	24910	22470
	HAVA GÜCÜ/AIR PROJECTION	M	15	20	20	25	25	30	30
	FAN ADETİ VE ÇAP / FAN NUMBER AND DIAMETER	mm	4X350	4X400	4X400	4X450	4X450	4X500	4X500
	TOPLAM GÜÇ / NO X POWER	W	1X140	1X180	1X180	1X250	1X250	1X450	1X450
	TOPLAM SES / TOTAL NOISE	A	64	73	73	73	73	72	72
	AMPER GÜCÜ / AMPERE POWER	db	0.6	0.39	0.39	0.6	0.6	0.9	0.9
	FAN DEVİRİ / FAN SPEED	min	1400r	1380r	1380r	1380r	1380r	1300r	1300r
BATARYA BATTERY	YÜZEY ALANI / SURFACE AREA	m2	35,22	50,03	62,54	82,55	99,06	90,06	108,07
	BORU HACMİ / PIPE VOLUME	lt	10	14,3	17,8	23,5	28,3	25,7	30,8
	LAMEL ARALIĞI / FIN PITCH	mm	8	8	8	8	8	8	8
	DEVRELEME / CIRCUIT	pcs	4	5	5	6	9	10	9
BOYUTLAR DIMENSION	GİRİŞ / INLET	mm	16	19	19	19	19	19	19
	ÇIKIŞ / OUTLET	mm	35	42	42	42	54	54	54
	A	mm	2260	2500	2500	2700	2700	2900	2900
	B	mm	525	630	630	630	740	740	740
	C	mm	360	360	400	450	450	400	450
	D	mm	405	405	445	495	495	445	495
AĞIRLIK WEIGHT	NET	kg	105	133	152	194	219	212	238
	GROSS	kg	157	200	227	291	329	318	357
ISITICI DEFROST WATT	BATARYA / BATTERY	D1	4X2700	4X3000	4X3000	4X3000	4X3000	4X3500	4X3500
	BATARYA / BATTERY	D2							
	TAVA / TRAY								



GN 700 SERİSİ / SERIES



STANDART ODA SOĞUTUCULARI STANDARD UNIT AIR COOLERS

DÖRT FANLI / FOUR FANS

GN Unit Coolers

5/8" Cooper Tube - Surface Corrugated Aluminium Fins.

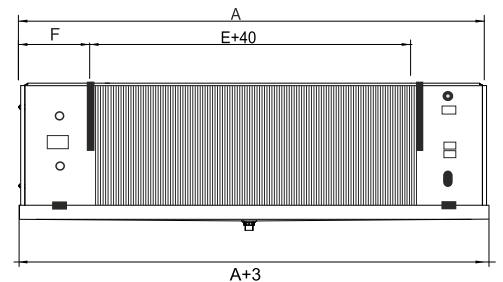
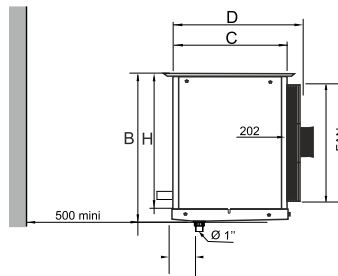
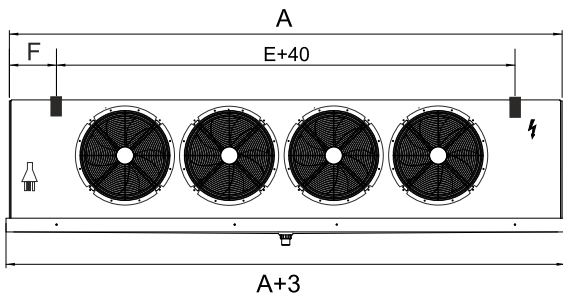
Kalip Geometrisi / Mould Geometry 50x50

Bakır Boru / Copper Tube 5/8"

Gövde / Body STATİK BOYALI / STATIC PAINTED



KOD/CODE			GN 729 N	GN 730 N	GN 731 N	GN 732 N	GN 733 N	GN 734 N	GN 735 N
MODEL			35.4.4X8	40.4.4X10	40.4.5X10	45.4.6X10	45.4.6X12	50.4.5X12	50.4.6X12
WATT	DT1=8K	SC3	6568	9538	10754	14300	17372	18866	20788
	DT1=7K	SC4	5406	7618	8649	11365	14137	15529	16540
FAN BİLGİLERİ FAN DATA	HAVA DEBİSİ/AIR FLOW RATE	m3/h	9230	12850	12080	14760	16340	24910	22470
	HAVA GÜCÜ/AIR PROJECTION	M	15	20	20	25	25	30	30
	FAN ADETİ VE ÇAP / FAN NUMBER AND DIAMETER	mm	4X350	4X400	4X400	4X450	4X450	4X500	4X500
	TOPLAM GÜÇ / NO X POWER	W	1X140	1X180	1X180	1X250	1X250	1X450	1X450
	TOPLAM SES / TOTAL NOISE	A	64	73	73	73	73	72	72
	AMPER GÜCÜ / AMPERE POWER	db	0.6	0.39	0.39	0.6	0.6	0.9	0.9
	FAN DEVİRİ / FAN SPEED	min	1400r	1380r	1380r	1380r	1380r	1300r	1300r
BATARYA BATTERY	YÜZEY ALANI / SURFACE AREA	m2	35,22	50,03	62,54	82,55	99,06	90,06	108,07
	BORU HACMİ / PIPE VOLUME	lt	10	14,3	17,8	23,5	28,3	25,7	30,8
	LAMEL ARALIĞI / FIN PITCH	mm	8	8	8	8	8	8	8
	DEVRELEME / CIRCUIT	pcs	4	5	5	6	9	10	9
BOYUTLAR DIMENSION	GİRİŞ / INLET	mm	16	19	19	19	19	19	19
	ÇIKIŞ / OUTLET	mm	35	42	42	42	54	54	54
	A	mm	2260	2500	2500	2700	2700	2900	2900
	B	mm	525	630	630	630	740	740	740
	C	mm	360	360	400	450	450	400	450
	D	mm	405	405	445	495	495	445	495
AĞIRLIK WEIGHT	NET	kg	105	133	152	194	219	212	238
	GROSS	kg	157	200	227	291	329	318	357
ISITICI DEFROST WATT	BATARYA / BATTERY	D1							
	BATARYA / BATTERY	D2	5X2700	5X3000	5X3000	5X3000	5X3000	5X3500	5X3500
	TAVA / TRAY		1X2700	1X3000	1X3000	1X3000	1X3000	1X3500	1X3500



STANDART ODA SOĞUTUCULARI STANDARD UNIT AIR COOLERS

TEK FANLI / ONE FANS

GN Unit Coolers

5/8" Cooper Tube - Surface Corrugated Aluminium Fins.

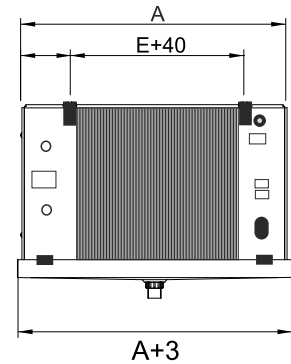
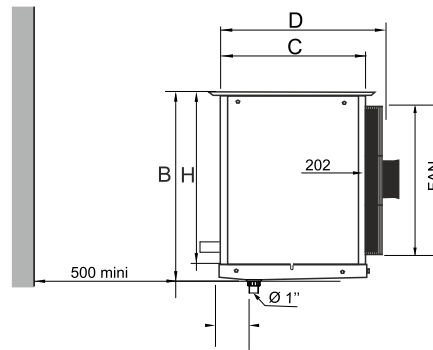
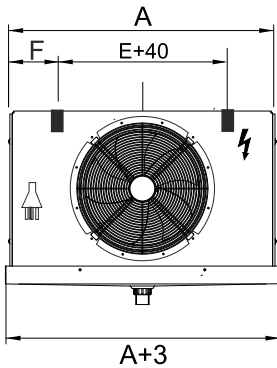
Kalip Geometrisi / Mould Geometry 50x50

Bakır Boru / Copper Tube 5/8"

Gövde / Body STATİK BOYALI / STATIC PAINTED



KOD/CODE			GN 900 N	GN 901 N	GN 902 N	GN 903 N	GN 904 N	GN 905 N
MODEL			40.1.4X10	40.1.5X10	45.1.4X12	45.1.5X12	50.1.5X12	50.1.6X12
WATT	DT1=8K	SC3	2224	2867	3035	3583	4108	4953
	DT1=7K	SC4	1845	2286	2464	2916	3286	4051
FAN BİLGİLERİ FAN DATA	HAVA DEBİSİ/AIR FLOW RATE	m3/h	3660	3540	5025	4870	6920	6625
	HAVA GÜCÜ/AIR PROJECTION	M	20	20	25	25	30	30
	FAN ADETİ VE ÇAP / FAN NUMBER AND DIAMETER	mm	1X400	1X400	1X450	1X450	1X500	1X500
	TOPLAM GÜÇ / NO X POWER	W	1X180	1X180	1X250	1X250	1X450	1X450
	TOPLAM SES / TOTAL NOISE	A	73	73	73	73	72	72
	AMPER GÜCÜ / AMPERE POWER	db	0.39	0.39	0.6	0.6	0.9	0.9
	FAN DEVİRİ / FAN SPEED	min	1380r	1380r	1380r	1380r	1300r	1300r
BATARYA BATTERY	YÜZEY ALANI / SURFACE AREA	m2	13,06	16,33	15,68	19,60	19,60	23,51
	BORU HACMİ / PIPE VOLUME	lt	4,6	5,7	5,5	6,8	6,8	8,2
	LAMEL ARALIĞI / FIN PITCH	mm	10	10	10	10	10	10
	DEVRELEME / CIRCUIT	pcs	2	2	2	2	2	3
BOYUTLAR DIMENSION	GİRİŞ / INLET	mm	12	12	12	12	12	12
	ÇIKIŞ / OUTLET	mm	28	28	28	28	28	35
	A	mm	1000	1000	1000	1000	1000	1000
	B	mm	630	630	740	740	740	740
	C	mm	360	400	360	400	400	450
	D	mm	405	445	405	445	445	495
AĞIRLIK WEIGHT	NET	kg	41	45	48	53	54	59
	GROSS	kg	61	67	72	79	81	88
ISITICI DEFROST WATT	BATARYA / BATTERY	D1						
	BATARYA / BATTERY	D2	4X700	4X700	5X900	5X900	5X900	5X900
	TAVA / TRAY		1X700	1X700	1X900	1X900	1X900	1X900



GN 900 SERİSİ / SERIES



STANDART ODA SOĞUTUCULARI STANDARD UNIT AIR COOLERS

İKİ FANLI / TWO FANS

GN Unit Coolers

5/8" Cooper Tube - Surface Corrugated Aluminium Fins.

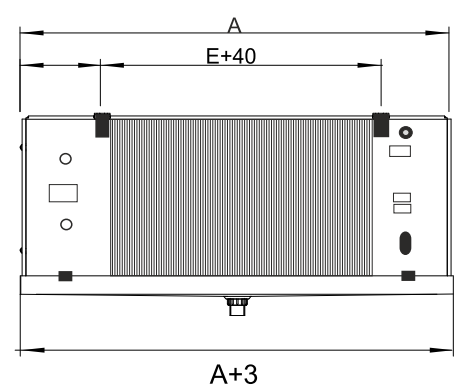
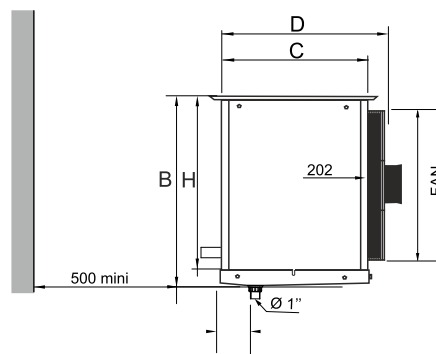
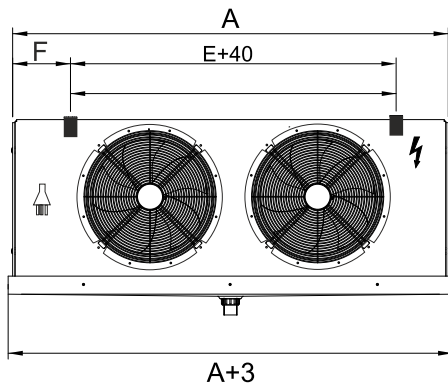
Kalip Geometrisi / Mould Geometry 50x50

Bakır Boru / Copper Tube 5/8"

Gövde / Body STATİK BOYALI / STATIC PAINTED



KOD/CODE			GN 906 N	GN 907 N	GN 908 N	GN 909 N	GN 910 N	GN 911 N
MODEL			40.2.4X10	40.2.5X10	45.2.4X12	45.2.5X12	50.2.6X12	50.2.6X14
WATT	DT1=8K	SC3	4491	5423	5747	6905	9015	10326
	DT1=7K	SC4	3692	4450	4692	5570	7209	8363
FAN BİLGİLERİ FAN DATA	HAVA DEBİSİ/AIR FLOW RATE	m3/h	7200	6935	9900	9550	12845	13755
	HAVA GÜCÜ/AIR PROJECTION	M	20	20	25	25	30	30
	FAN ADETİ VE ÇAP / FAN NUMBER AND DIAMETER	mm	2X400	2X400	2X450	2X450	2X500	2X500
	TOPLAM GÜÇ / NO X POWER	W	1X180	1X180	1X250	1X250	1X450	1X450
	TOPLAM SES / TOTAL NOISE	A	73	73	73	73	72	72
	AMPER GÜCÜ / AMPERE POWER	db	0.39	0.39	0.6	0.6	0.9	0.9
	FAN DEVİRİ / FAN SPEED	min	1380r	1380r	1380r	1380r	1300r	1300r
BATARYA BATTERY	YÜZEY ALANI / SURFACE AREA	m2	24,29	30,36	29,15	36,44	43,72	51,01
	BORU HACMİ / PIPE VOLUME	lt	8,5	10,6	10,2	12,7	15,3	17,8
	LAMEL ARALIĞI / FIN PITCH	mm	10	10	10	10	10	10
	DEVRELEME / CIRCUIT	pcs	3	3	3	3	4	5
BOYUTLAR DIMENSION	GİRİŞ / INLET	mm	12	12	12	16	16	16
	ÇIKIŞ / OUTLET	mm	35	35	35	35	42	42
	A	mm	1590	1590	1590	1590	1590	1590
	B	mm	630	630	740	740	740	850
	C	mm	360	400	360	400	450	450
	D	mm	405	445	405	445	495	495
AĞIRLIK WEIGHT	NET	kg	65	72	78	86	96	106
	GROSS	kg	97	108	116	128	144	158
ISITICI DEFROST WATT	BATARYA / BATTERY	D1						
	BATARYA / BATTERY	D2	5X1600	5X1600	5X1600	5X1600	5X1600	5X1600
	TAVA / TRAY		1X1600	1X1600	1X1600	1X1600	5X1600	1X1600



STANDART ODA SOĞUTUCULARI STANDARD UNIT AIR COOLERS

ÜÇ FANLI / THREE FANS

GN Unit Coolers

5/8" Cooper Tube - Surface Corrugated Aluminium Fins.

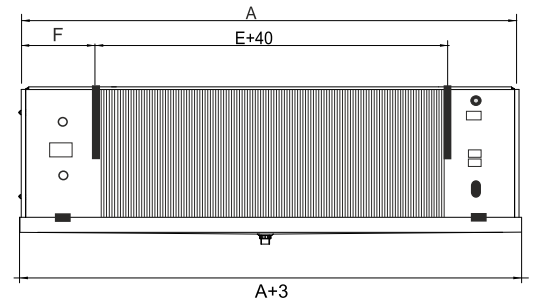
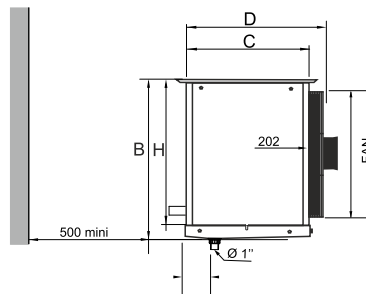
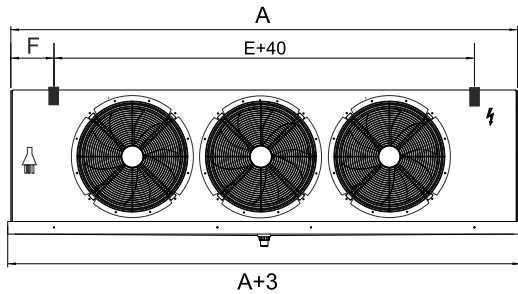
Kalip Geometrisi / Mould Geometry 50x50

Bakır Boru / Copper Tube 5/8"

Gövde / Body STATİK BOYALI / STATIC PAINTED



KOD/CODE			GN 912 N	GN 913 N	GN 914 N	GN 915 N	GN 916 N	GN 917 N
MODEL			40.3.4X10	40.3.5X10	40.3.4X12	45.3.5X12	50.3.6X12	50.3.6X14
WATT	DT1=8K	SC3	6949	7985	8454	10313	13692	15478
	DT1=7K	SC4	5690	6481	6811	8329	10963	12453
FAN BİLGİLERİ FAN DATA	HAVA DEBİSİ/AIR FLOW RATE	m3/h	10795	10405	14850	14330	19275	20625
	HAVA GÜCÜ/AIR PROJECTION	M	20	20	20	25	30	30
	FAN ADETİ VE ÇAP / FAN NUMBER AND DIAMETER	mm	3X400	3X400	3X400	3X450	3X500	3X500
	TOPLAM GÜÇ / NO X POWER	W	1X180	1X180	1X180	1X250	1X450	1X450
	TOPLAM SES / TOTAL NOISE	A	73	73	73	73	72	72
	AMPER GÜCÜ / AMPERE POWER	db	0.39	0.39	0.39	0.6	0.9	0.9
	FAN DEVİRİ / FAN SPEED	min	1380r	1380r	1380r	1380r	1300r	1300r
BATARYA BATTERY	YÜZEY ALANI / SURFACE AREA	m2	36,74	45,93	44,09	55,11	66,13	77,16
	BORU HACMİ / PIPE VOLUME	lt	12,8	16,1	15,4	19,3	23,1	27
	LAMEL ARALIĞI / FIN PITCH	mm	10	10	10	10	10	10
	DEVRELEME / CIRCUIT	pcs	4	4	4	5	6	7
BOYUTLAR DIMENSION	GİRİŞ / INLET	mm	16	16	16	16	19	19
	ÇIKIŞ / OUTLET	mm	35	35	42	42	54	54
	A	mm	2200	2200	2200	2200	2200	2200
	B	mm	630	630	740	740	740	850
	C	mm	360	400	360	400	400	450
	D	mm	405	445	405	445	445	495
AĞIRLIK WEIGHT	NET	kg	90	100	108	120	132	148
	GROSS	kg	135	150	162	179	197	222
ISITICI DEFROST WATT	BATARYA / BATTERY	D1						
	BATARYA / BATTERY	D2	5X2000	5X2000	5X2000	5X2000	5X2000	5X2000
	TAVA / TRAY		1X2000	1X2000	1X2000	1X2000	1X2000	1X2000



GN 900 SERİSİ / SERIES



STANDART ODA SOĞUTUCULARI STANDARD UNIT AIR COOLERS

DÖRT FANLI / FOUR FANS

GN Unit Coolers

5/8" Cooper Tube - Surface Corrugated Aluminium Fins.

Kalip Geometrisi / Mould Geometry 50x50

Bakır Boru / Copper Tube 5/8"

Gövde / Body STATİK BOYALI / STATIC PAINTED



KOD/CODE			GN 918 N	GN 919 N	GN 920 N	GN 921 N	GN 922 N	GN 923 N
MODEL			40.4.4X10	40.4.6X10	45.4.6X10	45.4.6X12	50.4.6X12	50.4.6X14
WATT	DT1=8K	SC3	8122	10920	12961	15500	19014	21227
	DT1=7K	SC4	6681	8606	10471	12677	15612	17435
FAN BİLGİLERİ FAN DATA	HAVA DEBİSİ/AIR FLOW RATE	m3/h	13645	12520	16400	17830	25715	27510
	HAVA GÜCÜ/AIR PROJECTION	M	20	20	25	25	30	30
	FAN ADETİ VE ÇAP / FAN NUMBER AND DIAMETER	mm	4X400	4X400	4X450	4X450	4X500	4X500
	TOPLAM GÜÇ / NO X POWER	W	1X180	1X180	1X250	1X250	1X450	1X450
	TOPLAM SES / TOTAL NOISE	A	73	73	73	73	72	72
	AMPER GÜCÜ / AMPERE POWER	db	0.39	0.39	0.6	0.6	0.9	0.9
	FAN DEVİRİ / FAN SPEED	min	1380r	1380r	1380r	1380r	1300r	1300r
BATARYA BATTERY	YÜZEY ALANI / SURFACE AREA	m2	40,82	61,24	67,36	80,83	88,18	102,88
	BORU HACMİ / PIPE VOLUME	lt	14,3	21,4	23,5	28,3	30,8	36
	LAMEL ARALIĞI / FIN PITCH	mm	10	10	10	10	10	10
	DEVRELEME / CIRCUIT	pcs	5	5	6	9	12	14
BOYUTLAR DIMENSION	GİRİŞ / INLET	mm	19	22	22	22	22	22
	ÇIKIŞ / OUTLET	mm	42	42	54	54	64	64
	A	mm	2500	2500	2700	2700	2900	2900
	B	mm	630	630	630	740	740	850
	C	mm	360	450	450	450	450	450
	D	mm	405	495	495	495	495	495
AĞIRLIK WEIGHT	NET	kg	105	128	147	162	176	193
	GROSS	kg	158	191	220	244	264	289
ISITICI DEFROST WATT	BATARYA / BATTERY	D1						
	BATARYA / BATTERY	D2	5X2500	5X2500	5X3000	5X3000	5X3500	5X3500
	TAVA / TRAY		1X2500	1X2500	1X3000	1X3000	1X3500	1X3500

